

**DEPARTMENT OF ENVIRONMENTAL PROTECTION  
BUREAU OF WATERWAYS ENGINEERING AND WETLANDS  
GENERAL PERMIT  
BWEW-GP-5  
UTILITY LINE STREAM CROSSINGS**

1. **GENERAL DESCRIPTION AND AUTHORITY** - The Department of Environmental Protection hereby authorizes, by general permit, subject to the terms and criteria set forth, the installation, operation and maintenance of utility line stream crossings of the regulated waters of the Commonwealth. This authorization is under Section 7 of the Dam Safety and Encroachments Act, 32 P.S. §§693.7, et seq., and the rules and regulations promulgated thereunder at §§105.441-105.449 (relating to general permits).

2. **DENIAL OF AUTHORIZATION** - The Department shall have the discretion, on a case-by-case basis, to deny, revoke or suspend the authorization to use this general permit for any project which the Department determines to have a substantial risk to life, property or the environment or otherwise could not be adequately regulated by the provisions of this general permit.

3. **DEFINITIONS** - The following terms as used in this general permit shall have the following meanings:

BODY OF WATER - Any natural or artificial lake, pond, reservoir, swamp, marsh or wetland.

FLOODWAY - The channel of the watercourse and those portions of the adjoining floodplains which are reasonably required to carry and discharge the 100-year frequency flood.

INSTALL - To construct, deposit, place, lay or set in place.

OWNER - Any person who owns, controls, operates, maintains, or manages a dam or reservoir, water obstruction, or encroachment.

PERSON - Any natural person, partnership, association, corporation, public utility, municipality, municipal authority, political subdivision of the Commonwealth, receiver or trustee and any department, board, commission, or authority of the Commonwealth.

REGULATED WATERS OF THE COMMONWEALTH - All watercourses, streams or bodies of water and their floodways wholly or partly within or forming part of the boundary of this Commonwealth.

RESERVOIR - Any basin, either natural or artificial, which contains or will contain the water or other fluid or semifluid impounded by a dam.

STOCKED TROUT STREAM - Streams classified as approved trout waters by the Fish and Boat Commission. Classification may be verified by contacting the Fish and Boat Commission's Regional Office or the Division of Environmental Services. See "Exhibit A".

SUBMERGED LANDS OF THIS COMMONWEALTH - All waters and permanently or periodically inundated lands owned by the Commonwealth, including all lands in the beds of navigable lakes and rivers and beds of streams declared public highways which are owned and held in trust by the Commonwealth.

UTILITY LINE - Any pipe or pipeline for the transportation of a gaseous, liquid, liquifiable or slurry substance or, any cable, conduit, line or wire for the transmission of electrical energy, telephone, telegraph, radio, or television signals, including cathodic corrosion protection.

WATERCOURSE - Any channel or conveyance of surface water having defined bed and banks, whether natural or artificial, with perennial or intermittent flow.

**WETLANDS** - Those areas that are inundated or saturated by surface or groundwater at a frequency and duration sufficient to support, and that under normal circumstances do support, a prevalence of vegetation typically adopted for life in saturated soil conditions, including swamps, marshes, bogs and similar areas. The term includes but is not limited to wetland areas listed in the State Water Plan, the United States Forest Service Wetlands Inventory of Pennsylvania, the United States Fish and Wildlife Service Wetlands Inventory Maps, as utilized by the Pennsylvania Coastal Zone Management Program and any wetland area designated by a river basin commission.

**WILD TROUT STREAMS** - Streams classified as supporting reproducing trout populations by the Fish and Boat Commission. Classification may be verified by contacting the Fish and Boat Commission's Regional Office or the Division of Environmental Services. See "Exhibit A".

4. **SUBMERGED LANDS OF THIS COMMONWEALTH** - This General Permit shall not be effective to authorize any project over, across or occupying submerged lands of this Commonwealth until the owner has obtained a license from the Department authorizing the occupation of such submerged lands issued under Section 15 of the Dam Safety and Encroachments Act, (32 P.S. §693.15), Section 514 of The Administrative Code of 1929 (71 P.S. §194), or other applicable laws. Upon receipt of notification from the owner, the Department will review the project to determine if its location is over, across or occupies submerged lands of the Commonwealth.
5. **SPECIFIC AREAS WHERE GENERAL PERMIT DOES NOT APPLY** - This general permit is not authorized in the following areas:
  - a. Historic, cultural or archaeological sites as identified in the latest published version of the Pennsylvania Inventory of Historical Places or the National Register of Historical Places.
  - b. Local historical sites officially approved or recognized by a municipality.
  - c. Sites identified in the latest published version of the National Registry of Natural Landmarks.
  - d. Areas in or within 100 feet of a watercourse or body of water designated as or nominated for a National or State Wild or Scenic River in accordance with the National Wild and Scenic Rivers Act of 1968 or the Pennsylvania Scenic Rivers Act (32 P.S. §§820.21-820.29).
  - e. Important wetlands regulated under §105.17 (relating to special criteria for projects affecting important wetlands).
  - f. Wetlands, greater than ten (10) acres in size.
  - g. Stocked trout streams from March 1 through June 15, wild trout streams from October 1 through December 31 and Lake Erie tributaries from September 1 through December 1 unless approval is obtained from the Fish and Boat Commission's Division of Environmental Services.
  - h. Reservoirs.
  - i. Streams or water bodies designated as Exceptional Value Waters as defined and listed in Chapter 93 (relating to water quality standards).
6. **OTHER PERMITS** - Nothing in this General Permit relieves the owners of the obligation of complying with all Federal, Interstate Compact and State laws, regulations and standards for the construction, operation or maintenance of the utility lines.
7. **NOTIFICATION OF PROPOSED USE OF GENERAL PERMIT** - Prior to construction the owners shall submit the General Permit Registration form along with the required attachments to the delegated County Conservation District or to the appropriate DEP Regional Office's Permitting

and Technical Services Section (see attached listings). A copy of the General Permit Registration form shall also be sent to the municipality and county in which the work will be performed. **The owner may not begin work until he has notified the appropriate office and received an acknowledgement of that notification.**

8. **FEES** - The fee required for a project authorized under this General Permit shall be consistent with 25 PA Code §105.13 (relating to regulated activities – information and fees).
9. **EFFECTIVE TIME PERIOD** - This general permit will remain in effect indefinitely unless specifically modified, suspended or revised by the Department.
10. **SUSPENSION, MODIFICATION OR REVOCATION** - The Department may suspend, modify, or revoke this General Permit at any time upon notice in the Pennsylvania Bulletin.
11. **PROJECT INTERFERENCE** - This general permit does not authorize any interference with any existing or proposed Local, State, Federal or Federally Licensed Project, and permittee shall not be entitled to compensation for damage or injury to the work authorized herein which may be caused by or a result of existing or future operations undertaken by the United States, the Commonwealth of Pennsylvania or its Political Subdivisions in the public interest.
12. **CONDITIONS**
  - a. The maximum size utility line allowed is 36 inches in diameter.
  - b. All utility lines under streambeds shall be located such that there will be a minimum of three (3) feet of cover between the top of the utility line or encasement and the lowest point in the natural contour of the streambed, unless the utility line is in rock, where a minimum cover of one (1) foot shall be provided.
  - c. Trenches excavated for the installation of utility lines shall be the minimum width necessary. As soon as the utility line is installed and tested to ascertain no leakage, appropriate new or previously excavated backfill material shall be placed in the trench and the area restored to its original condition and elevation and stabilized. Backfill material stored in connection with the installation must be properly retained out of the floodway so as to prevent its discharge, washings or runoff from entering the waterway prior to its placement as backfill.
  - d. Adequate measures shall be used to prevent sedimentation from the trench from entering the stream.
  - e. The backfilling of the trench in which the pipe will be laid shall be done so as to eliminate the formation of a permanent ridge in the streambed.
  - f. During construction activities, all public and private property including existing vegetation, landscape features and monuments within, along and adjacent to the work area, shall be protected and preserved to the maximum degree possible. This shall include, but not be limited to, precautions taken to minimize damage, erosion, injury, or destruction; prevent pollution; provide protection of all trees and other woody plants; special care being taken to protect the natural vegetation and surroundings to include all natural drainageways, ponds, lakes, swamps, woods and fields; and storage of materials in such manner to prevent leaching which would be injurious to soils and to plants. Precautions should be taken to prevent damage to pipes, conduits and other underground structures.
  - g. Archaeological artifacts discovered during the performance of work authorized under this general permit must be adequately protected and their discovery promptly reported to the Bureau for Historic Preservation, Historical and Museum Commission, 400 North Street, Second Floor, Harrisburg, PA 17120-0093, telephone (717) 783-8946.

- h. Owners shall investigate for drinking water intakes or reservoirs for public and private water supplies within five (5) miles downstream of the crossing and written notice shall be given at least ten (10) days prior to construction to operators of any such intakes or reservoirs. Owners must notify public and private water supply operators immediately and no longer than one (1) hour after an occurrence at the crossing site which results in the release of suspended solids and turbidity to the stream.
- i. Mats, pads, or other similar devices shall be used where crossings of wetland areas by construction equipment cannot be avoided. Original grades through wetlands must be restored after trenching and backfilling. Any excess fill material must be removed from the wetland and not spread on-site. Mounding of fill material to allow for settlement in the trench will be permitted in accordance with best construction methods.
- j. Deposition of dredged or excavated materials and all earthwork operations will be carried out in such a way as to minimize erosion of the material and preclude its entering into any wetland adjacent to the utility line crossing.
- k. Utility line crossings of streams should be accomplished so that the line is at a right angle to the stream where possible, unless the crossing is installed on an existing bridge.
- 1. Whenever possible, in accordance with best construction methods utility line crossings are to be made "in the dry" by installing sandbag and plastic dams and piping stream flow through the affected area.
- m. Prior to the use of explosives in a watercourse or body of water the permittee shall secure a written permit from the Fish and Boat Commission, under the Pennsylvania Fish and Boat Code 30 Pa. C.S. §2906 (relating to permits for use of explosives). Requests should be directed to the Fish and Boat Commission, Division of Environmental Services (see "Exhibit A").

13. **POLLUTION INCIDENT PREVENTION AND MITIGATION** - For projects constructed under the authorization of this General Permit which transmit hazardous or toxic material, the owner shall take the following actions to prevent or alleviate the harm from pollution, under the requirement of Chapter 101 (relating to special water pollution regulations):

- a. Develop and implement a Preparedness, Prevention and Contingency (PPC) Plan in accordance with Departmental guidelines. The Department reserves the right to require the PPC Plan to be revised or amended for any deficiencies subsequently identified by the Department.
- b. In the event a pollution incident occurs which causes or threatens to cause surface or groundwater pollution, the owner shall:
  - (1) promptly notify the Department by telephone of the location and nature of the danger,
  - (2) notify all known downstream users of the water,
  - (3) immediately take all necessary steps to prevent injury to property and downstream users, and protect waters from pollution or danger of pollution,
  - (4) remove any contamination from affected ground or surface water to the extent required by the Department.

14. **DEPARTMENT INSPECTION** - As a condition of use of this general permit, and of the owner's authority to conduct the activities authorized by this general permit, the owner hereby authorizes and consents to allow authorized employees or agents of the Department, without advance notice or a search warrant, at any reasonable time and upon presentation of appropriate credentials, and without delay, to have access to and to inspect all areas where the project is being constructed,

operated or maintained. The authorization and consent shall include consent to conduct tests or sampling, to take photographs, to perform measurements, surveys and other tests, to inspect the methods of construction, operation or maintenance, to examine and copy books, papers and records pertinent to any matter under investigation, and to take any other action necessary to assure that the project is constructed, operated or maintained in accordance with the terms and criteria of the general permit. This general permit condition is referenced in accordance with Section 16 of the Dam Safety and Encroachments Act, 32 P.S. §693.16, and in no way limits any other powers granted under the Dam Safety and Encroachments Act.

15. **ACTIVITIES NOT IN ACCORDANCE WITH THE TERMS OR CONDITIONS** - If the Department determines, upon inspection, that the construction, operation or maintenance of a project has violated the terms or conditions of this general permit or of Chapter 105, the Department may take such actions, legal or administrative, that it may deem to be appropriate.
16. **STRUCTURE REMOVAL** - The owner shall remove all or any portion of the utility line project upon written notification to the owner by the Department in the event the project is causing an adverse impact on public health, safety or the environment or in any other manner violates the conditions of this general permit or Chapter 105.
17. **PROPERTY RIGHTS** - This general permit does not convey any property rights, either in real estate or material, or any exclusive privileges; nor does it authorize any injury to property or invasion of rights or any infringement of Federal, State or local laws or regulations.
18. **OTHER APPROVALS** - The owner shall secure all other approvals that may be necessary under other Federal, State or local laws or regulations, including the specific permission of owners of bridges or other structures to which the utility line may be attached.
19. **FISH AND BOAT COMMISSION NOTIFICATION** - The owner shall notify the Pennsylvania Fish and Boat Commission's Regional Field Office Manager, see "Exhibit A", responsible for the County where the activities are proposed ten (10) days prior to start of construction. Notification by postcard is suggested. The project site shall at all times be available for inspection by authorized officers and employees of the Fish and Boat Commission.
20. **BEST MANAGEMENT PRACTICES** - Work must be done in compliance with Chapter 102 (relating to Erosion Control). Prior to construction an Erosion and Sediment Control Plan must be reviewed and determined adequate by the County Conservation District in which the activities are proposed and implemented prior to, during and after construction. The County Conservation District shall be notified ten (10) days prior to the start of construction. The project site shall at all times be available for inspection by authorized employees of the County Conservation District. The Erosion and Sediment Control Plan shall be available at the site.
21. **UTILIZATION OF GENERAL PERMIT BWEW-GP-8, TEMPORARY ROAD CROSSINGS** - Temporary road crossings of streams and causeways that are necessary for equipment to move back and forth across a stream and located adjacent to the utility line crossing are authorized by and must be constructed in accordance with BWEW-GP-8. The owner shall indicate utilization of BWEW-GP-8 on the General Permit Registration form. An owner constructing temporary road crossings in those areas excluded from the application of BWEW-GP-8 must apply for an individual water obstruction permit for those road crossings.

GENERAL PERMIT:

B.D.W.M. GP-5

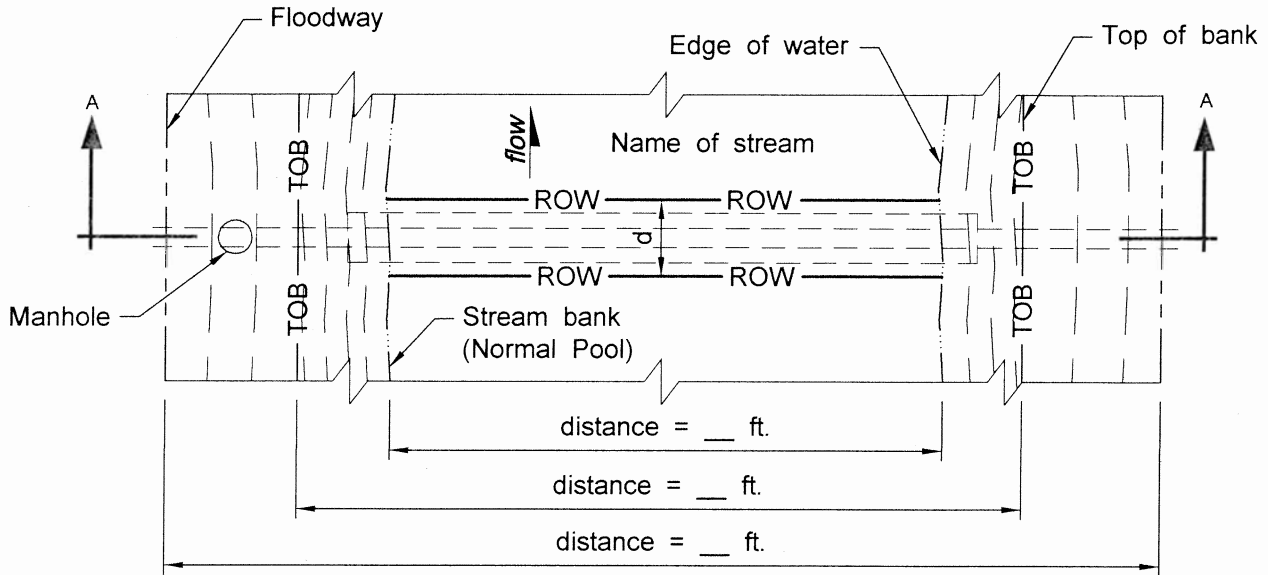
UTILITY LINE STREAM CROSSING  
UNDER STREAM

APPLICANT/CLIENT \_\_\_\_\_

MUNICIPALITY \_\_\_\_\_

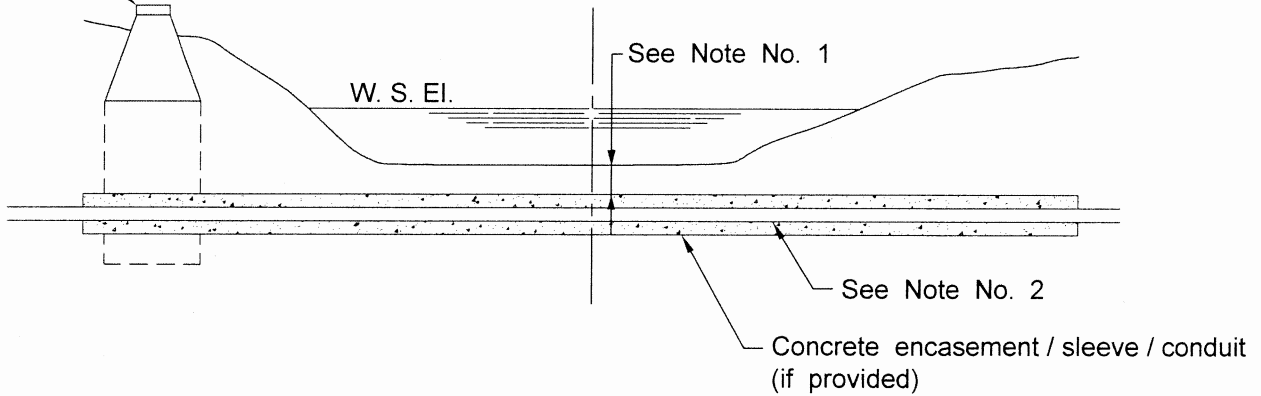
COUNTY \_\_\_\_\_

Dwg. No. 1



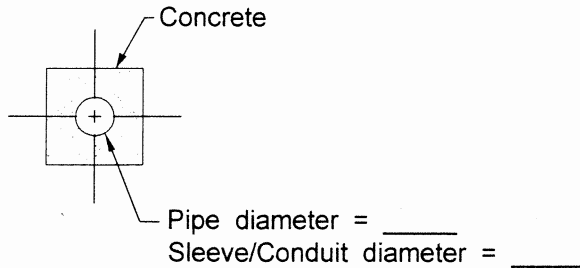
PLAN

See Note No. 3



ELEVATION

ENCASEMENT IN ACCORDANCE WITH  
ENGINEERING STANDARD



CONCRETE ENCASEMENT CROSS SECTION A-A

GENERAL NOTES:

1. Minimum of 3' of cover over utility line or encasement/sleeve/conduit except in rock where 1' of cover shall be provided.
2. Utility line encasement/sleeve/conduit shall be installed with sufficient horizontal length to allow for future channel expansion.
3. Manholes may not be constructed within the channel.
4. "d" denotes required Right-of-Way width of proposed utility line.

GENERAL PERMIT:

B.D.W.M. GP-5

APPLICANT/CLIENT \_\_\_\_\_

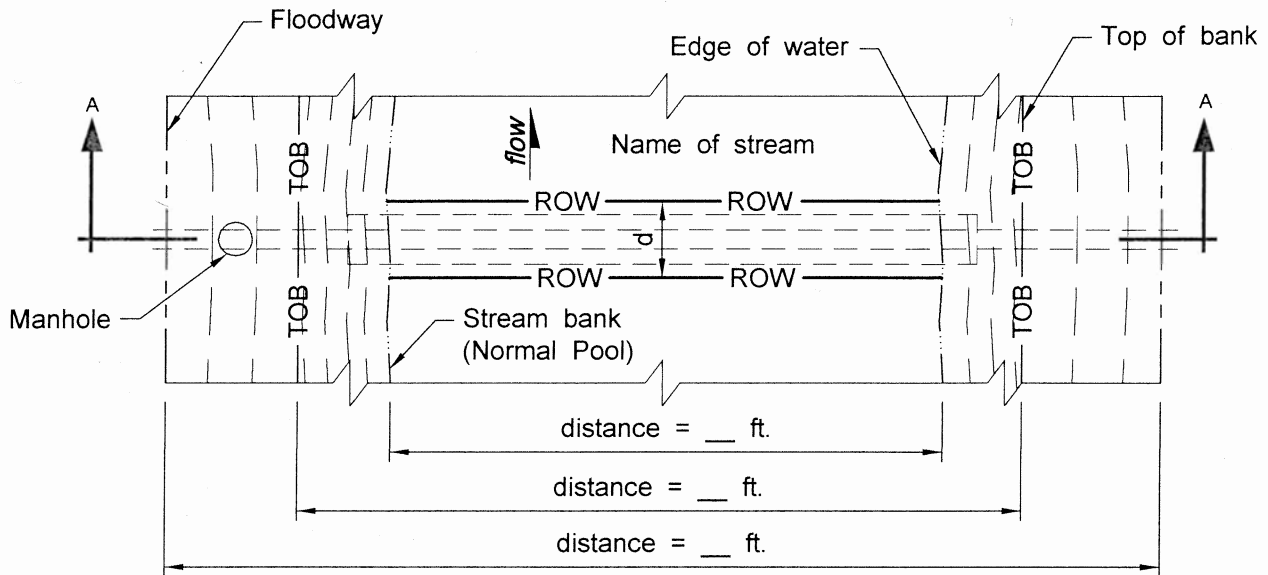
UTILITY LINE STREAM CROSSING

MUNICIPALITY \_\_\_\_\_

Dwg. No. 2

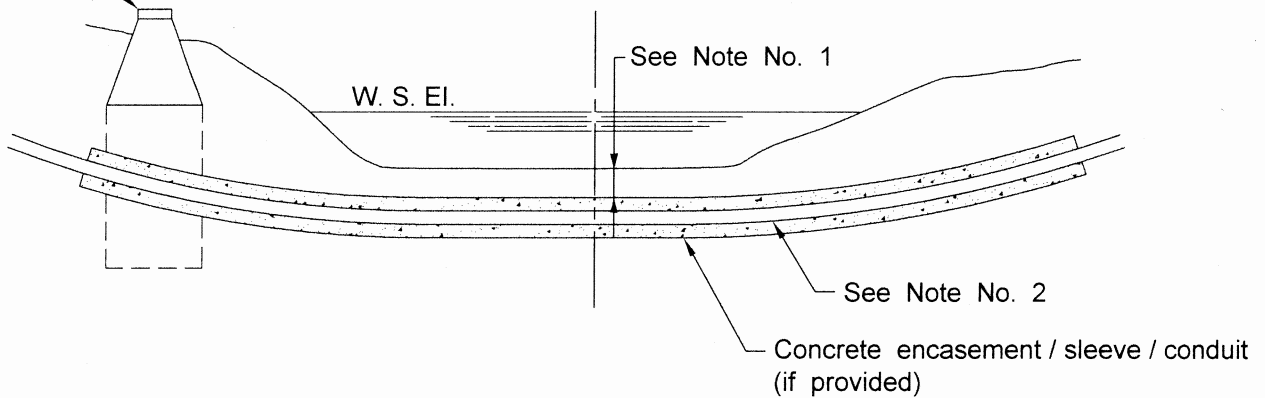
UNDER STREAM

COUNTY \_\_\_\_\_



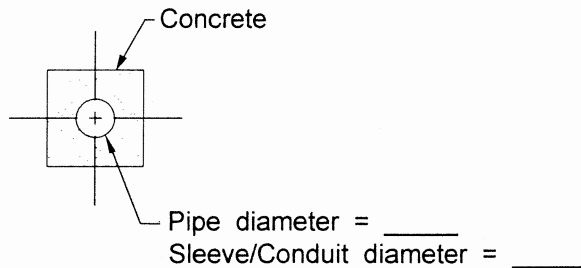
PLAN

See Note No. 3



ELEVATION

ENCASEMENT IN ACCORDANCE WITH ENGINEERING STANDARD



CONCRETE ENCASEMENT CROSS SECTION A-A

GENERAL NOTES:

1. Minimum of 3' of cover over utility line or encasement/sleeve/conduit except in rock where 1' of cover shall be provided.
2. Utility line encasement/sleeve/conduit shall be installed with sufficient horizontal length to allow for future channel expansion.
3. Manholes may not be constructed within the channel.
4. "d" denotes required Right-of-Way width of proposed utility line.

GENERAL PERMIT:

B.D.W.M. GP-5

APPLICANT/CLIENT \_\_\_\_\_

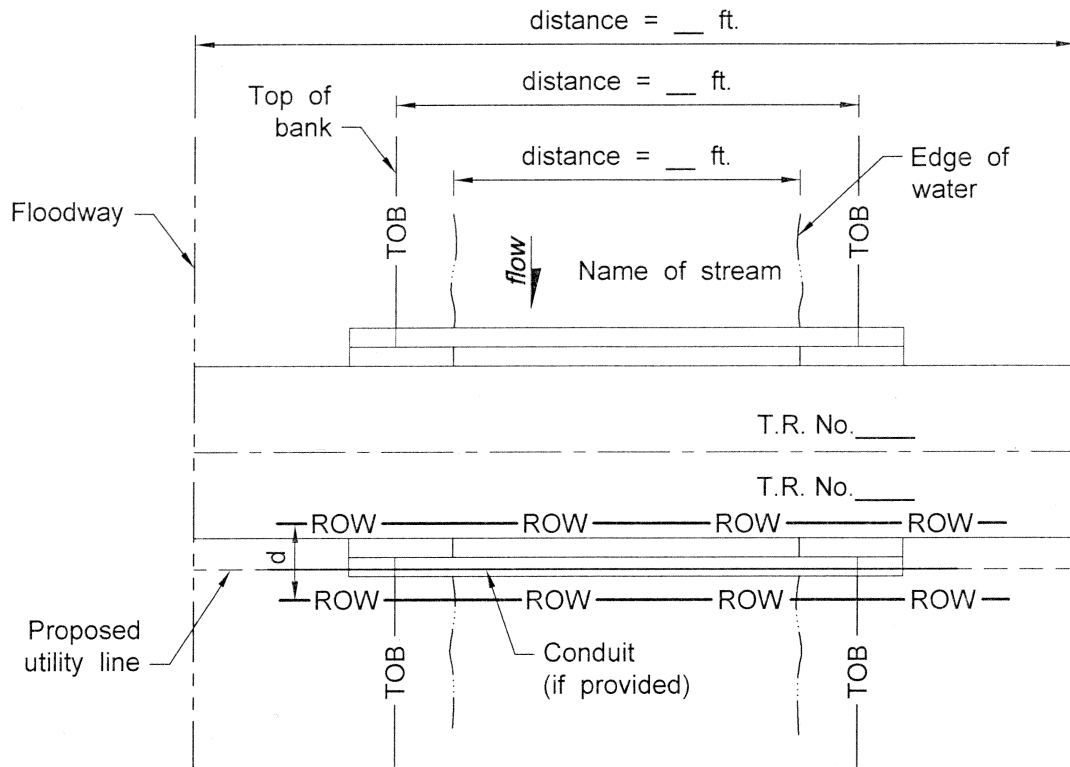
UTILITY LINE STREAM CROSSING

MUNICIPALITY \_\_\_\_\_

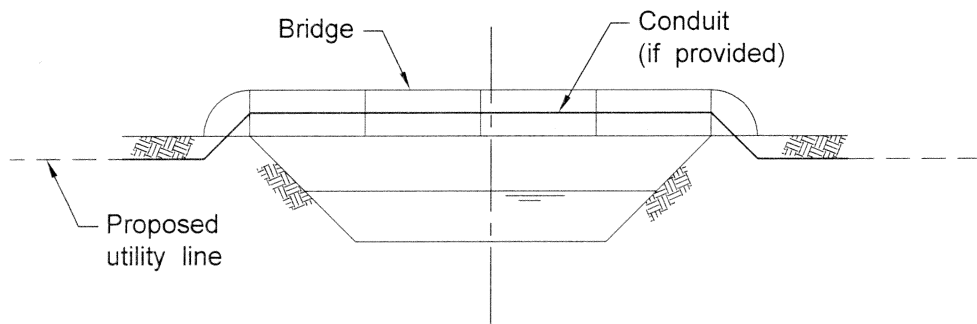
ATTACHED TO EXISTING BRIDGE

COUNTY \_\_\_\_\_

Dwg. No. 3



PLAN



ELEVATION

GENERAL NOTES:

1. Utility line cannot be placed below the lowest part (structure) of bridge i.e. within the waterway opening.
2. "d" denotes required Right-of-Way width of proposed utility line.



GENERAL PERMIT:

B.D.W.M. GP-5

APPLICANT/CLIENT \_\_\_\_\_

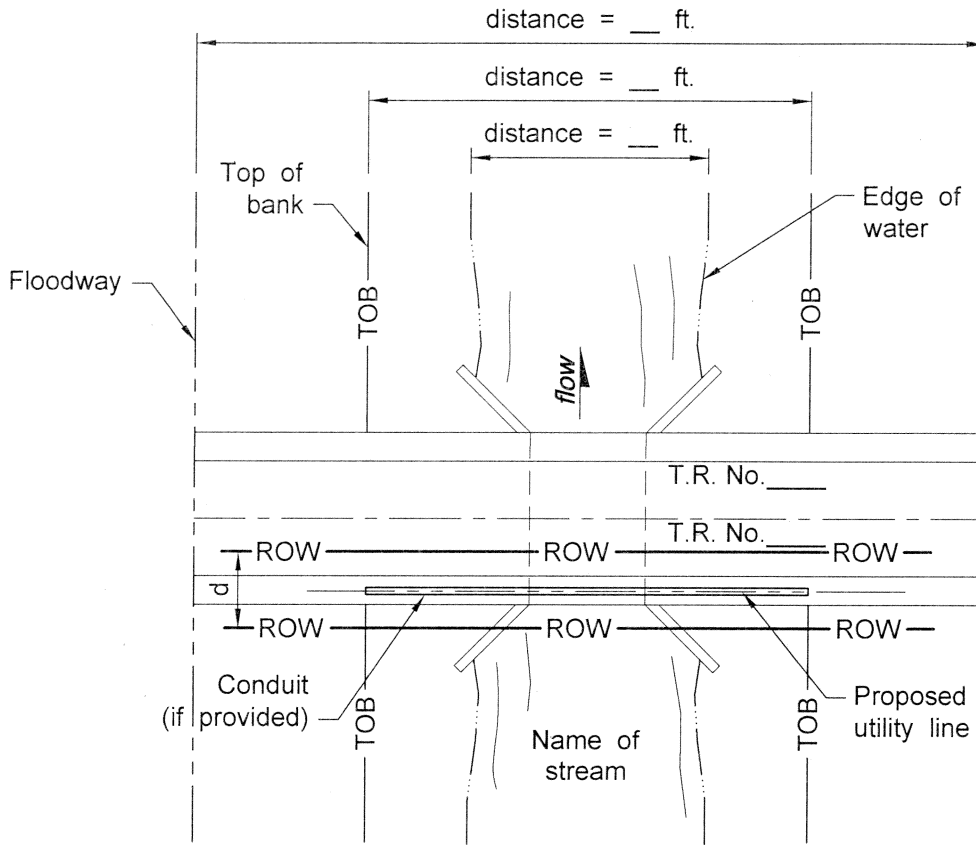
UTILITY LINE STREAM CROSSING

MUNICIPALITY \_\_\_\_\_

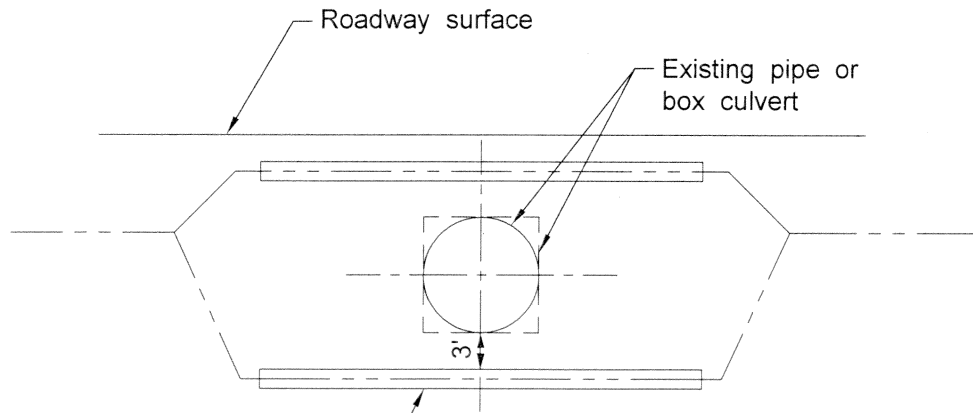
Dwg. No. 4

UNDER OR OVER EXISTING PIPE OR CULVERT

COUNTY \_\_\_\_\_



PLAN



Conduit / sleeve of concrete encasement  
(Optional, above or below culvert)

ELEVATION

GENERAL NOTES:

1. Show if utility line is over or under pipe / box culvert.
2. "d" denotes required Right-of-Way width of proposed utility line.

GENERAL PERMIT:

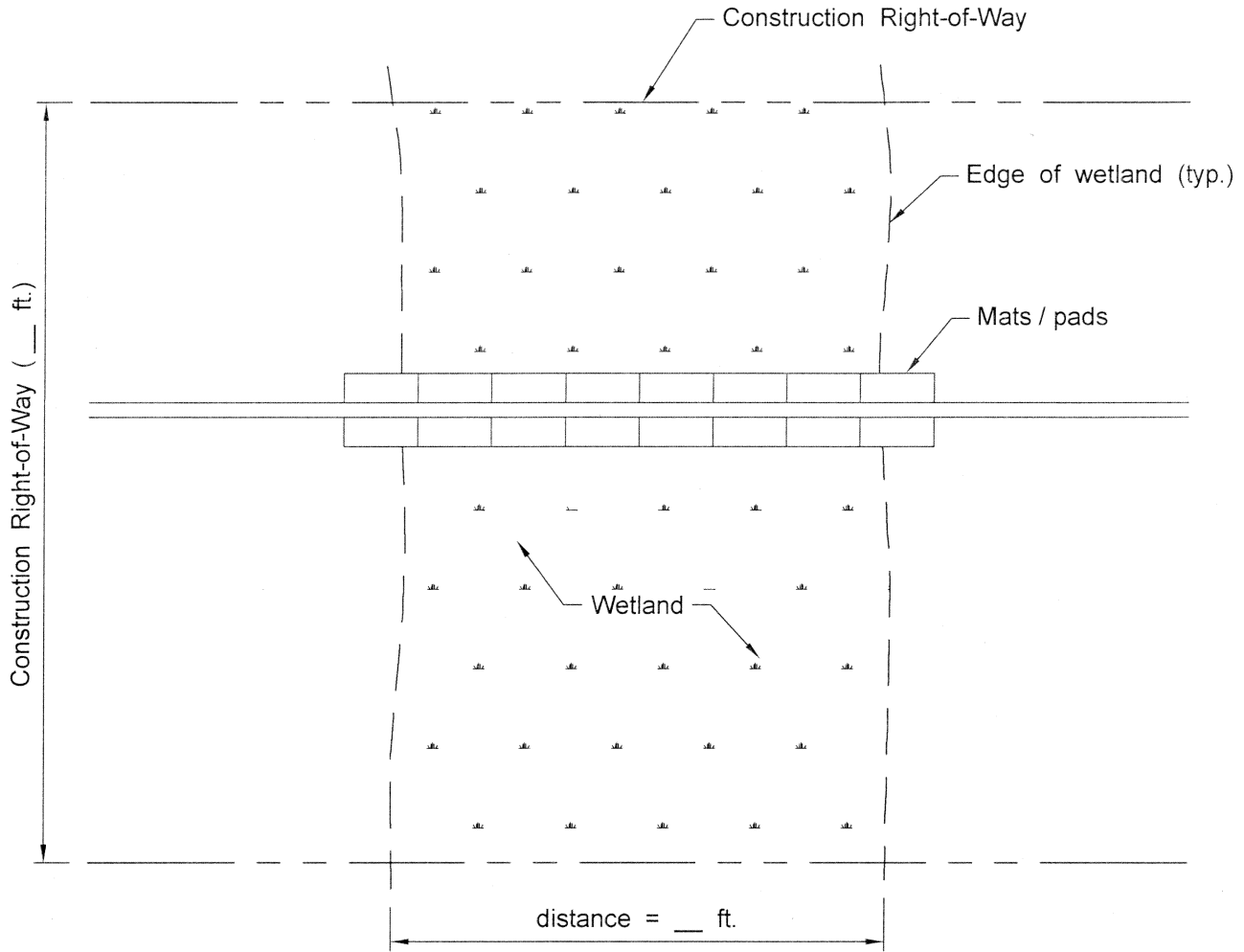
B.D.W.M. GP-5  
TEMPORARY AERIAL  
WETLAND CROSSING

APPLICANT/CLIENT \_\_\_\_\_

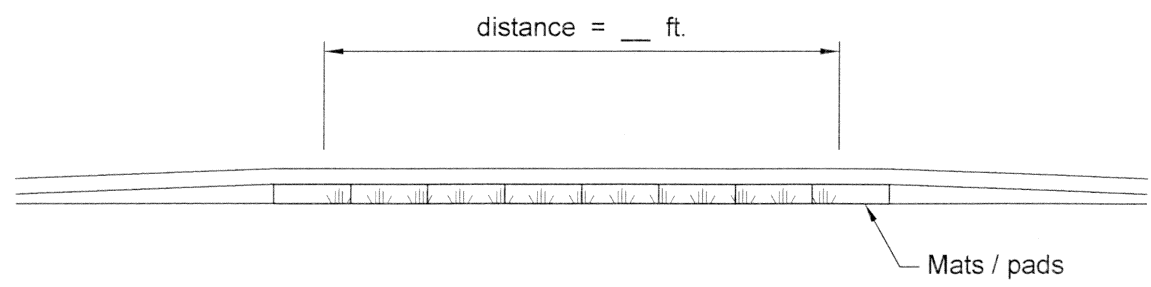
MUNICIPALITY \_\_\_\_\_

COUNTY \_\_\_\_\_

Dwg. No. 5



PLAN VIEW



ELEVATION

GENERAL PERMIT:

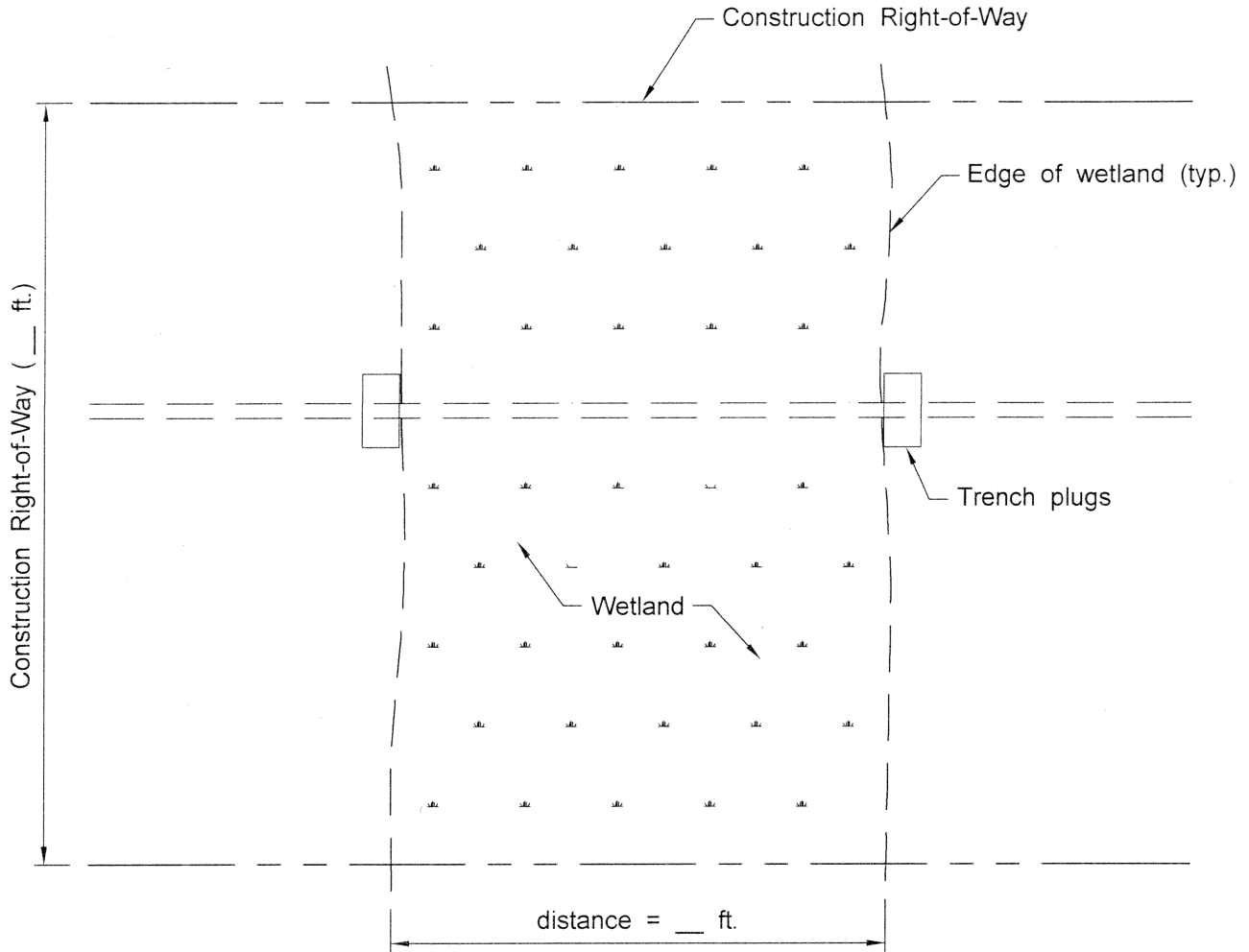
B.D.W.M. GP-5  
TEMPORARY NON-AERIAL  
WETLAND CROSSING

APPLICANT/CLIENT \_\_\_\_\_

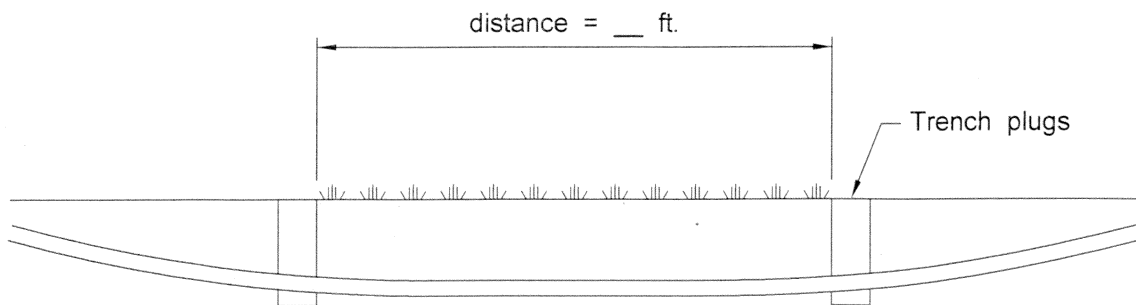
MUNICIPALITY \_\_\_\_\_

COUNTY \_\_\_\_\_

Dwg. No. 6



PLAN VIEW



SECTION A-A

GENERAL PERMIT:

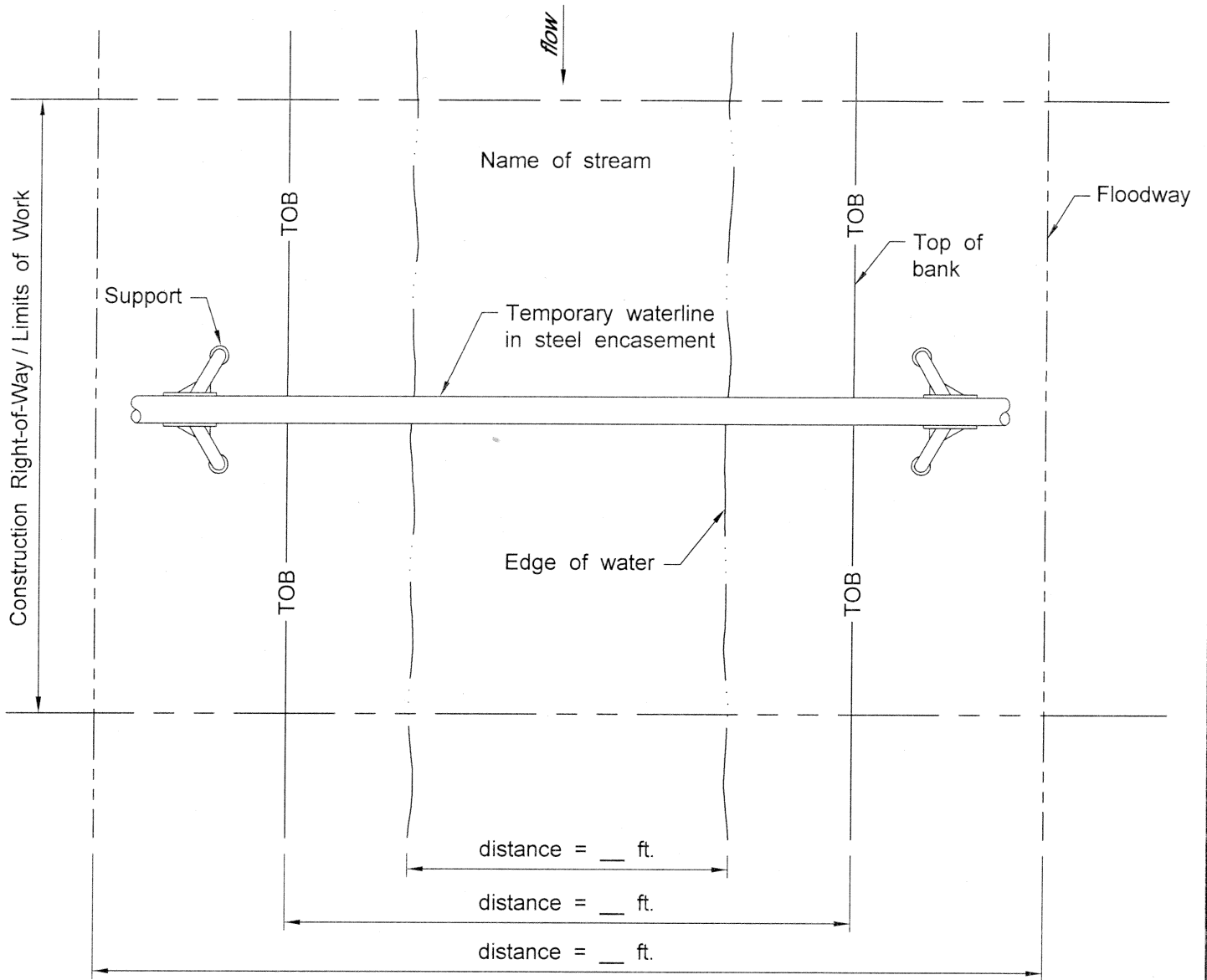
B.D.W.M. GP-5  
TEMPORARY AERIAL  
STREAM CROSSING

APPLICANT/CLIENT \_\_\_\_\_

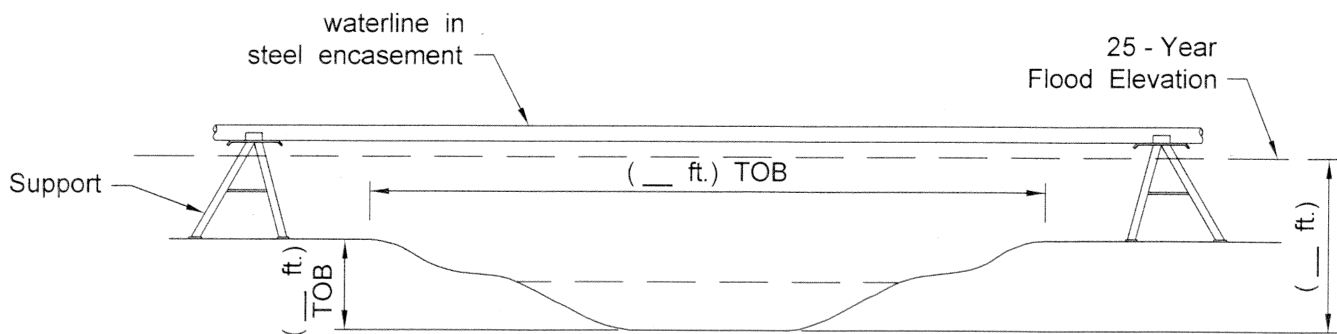
MUNICIPALITY \_\_\_\_\_

COUNTY \_\_\_\_\_

Dwg. No. 7



PLAN VIEW



SECTION VIEW



## CHAPTER 105 WATER OBSTRUCTIONS AND ENCROACHMENT GENERAL PERMIT REGISTRATION

*Please review the language of the General Permit(s) prior to completing the General Permit Registration to determine if the project is eligible for use of the General Permit and meets the terms and conditions of the permit(s).*

### **REGISTERING A GENERAL PERMIT (GP):**

After determining that the project is eligible for use and meets the terms and conditions of the General Permit (GP) intended to be registered, the following instructions are useful to properly complete the GP Registration (Registration) process. A properly completed Registration, done in blue or black ink, allows for a more efficient and timely review. Marking "N/A" indicates that a requirement is non-applicable to the project.

If the project is located in a county where the Conservation District (District) has been delegated responsibility under the Chapter 105 program, the Registration form and other associated documents (Registration package) must be sent to the District (except GP-10, GP-11, GP-15 or a GP for oil and gas related activities). If the District is not delegated or the applicant intends to register a GP-10, GP-11, GP-15 or a GP for oil and gas related activities, the Registration package must be sent to the appropriate Department of Environmental Protection (DEP) Regional Office. Contact Information for District and DEP Regional Offices can be found on GP Registration [Exhibit B \(3150-PM-BWEW0500B\)](#) and [Exhibit C \(3150-PM-BWEW0500C\)](#); and on DEP's eLibrary at <http://www.elibrary.dep.state.pa.us>.

Please provide **ONE (1) ORIGINAL** and **ONE (1) COPY** of the Registration package. An additional copy is required to be available at the project site during construction along with the GP terms and conditions. Prepare the Registration package for submission beginning with the Registration form, followed by the required attachments in the order they are requested. Not all attachments will be required in all situations for all projects. This standardized format will assist the permit reviewer to process the Registration package more efficiently. **The Registration package should be assembled and provided in the following order (additional details are in Section E):**

- |  |   |
|--|---|
| 1. General Permit Registration form  | 11. Erosion & Sediment Control Plan (E&S Plan)  |
| • See 16 for additional requirements for GP-11                             | • Where required per Chapter 105 permit   |
| 2. General Permit Registration Fee & Chapter 105 Fee Calculation Worksheet | 12. Written Directions to Project Site  |
| 3. Notification sent to the Municipality & County                          | 13. Pennsylvania Natural Diversity Inventory (PNDI) receipt   |
| • Proof of receipt is optional   | 14. Request for a Bog Turtle Habitat Screening Form   |
| 4. PASPGP-5 Reporting Criteria Checklist                                   | 15. Activities which impact wetlands:   |
| 5. Location Map  | • wetland delineation   |
| 6. Color Photographs   | • wetland replacement plan  |
| 7. Stream Name and Chapter 93 Classification                               | • check (where required for compensatory mitigation)  |
| 8. Project Description & Aquatic Resource Impact Table                     | 16. Registration of a GP-11:  |
| 9. Site Specific and/or Standard Drawings                                  | • E&S Plan  |
| 10. Site Plan  | • Bridge and/or Culvert Replacement Projects or Projects That Change the Waterway Opening Worksheet |

Upon review by the District or DEP Regional Office, if the project is determined to not meet the terms and conditions of the GP or the Registration package is incomplete, the applicant will be contacted appropriately.

### **CHAPTER 105 GPs:**

- **PLEASE MARK ("X") ALL THAT APPLY:** Place an "X" in the box next to the GP(s) the applicant intends to register. Mark all GPs that apply to the project.
  - If registering [GP-2](#), place an "X" in the box next to the appropriate dock or facility type. Additional details are available in the GP-2 permit.
  - [GP-11](#) registrations will require additional items under Section E, Item 16.

## Instructions

- **Activity Related to Oil and Gas Exploration, Production or Transmission:** Place an “X” in the box next to “Activity Related to Oil and Gas Exploration, Production or Transmission” if the activity is oil and gas related.

Contact Information for DEP’s Regional Oil and Gas offices can be found on GP Registration [Exhibit B \(3150-PM-BWEW0500B\)](#); and on DEP’s eLibrary at <http://www.elibrary.dep.state.pa.us>.

- **Activity Subject to Federal Energy Regulatory Commission (FERC) approval:** Place an “X” in the box next to “Activity Subject to FERC approval” if the activity is regulated by FERC and provide the FERC docket number.

Place an “X” in the box next to “FERC Natural Gas Act Facility” if the activity is also regulated under the Federal Natural Gas Act.

**SECTION A. APPLICANT INFORMATION:**

Please fill in the requested information about the applicant (the owner) as accurately as possible. If the property of the project site is privately owned, please list all owners. If owned by a partnership, please list all members. If owned by a corporation, a political subdivision, or a Commonwealth department, board, commission, receiver, trustee or authority, please list the name of the entity. **See SECTION H. CERTIFICATION (page 9) for clarification of applicant signature.**

Please be sure to include DEP Client Identification Number (if known) and Employer Identification Number (EIN), as well as select or write in the proper Client Type and Code (listed below). This information is important to DEP’s data tracking system. Please leave blank if the information is unknown or there is a question regarding the proper answer or information. Please note however, that leaving out information may result in delays or denial of the authorization to use the GP.

<u>Government</u>		<u>Non-Government</u>		<u>Individual</u>	
AUTH	Authority	ASSOR	Association/Organization	INDIV	Individual
CNTY	County	NPACO	Non-Pennsylvania Corporation		
FED	Federal Agency	PACOR	Pennsylvania Corporation		
MUNI	Municipality	PARTG	Partnership-General		
SCHDI	School District	PARTL	Partnership-Limited		
STATE	State Agency	OTHER	Other (Non-government)		
OTHG	Other (Government)	SOLEP	Sole Proprietorship		
NONPG	Non-Pennsylvania Government	LLP	Limited Liability Partnership		
		LLC	Limited Liability Company		
		ESTST	Estate/Trust		

**Business entities desiring to do business within the Commonwealth of Pennsylvania must register with the Pennsylvania Department of State.** This requirement includes foreign filing associations such as; corporations for profit, corporations not-for-profit, limited partnerships, limited liability companies, professional associations and business or statutory trusts, which were not created or formed under the laws of Pennsylvania. ***This requirement does not apply to Individuals.***

To register with the Commonwealth, please visit Pennsylvania Department of State, Bureau of Corporations and Charitable Organization registration website at <http://www.dos.pa.gov/BusinessCharities/Pages/default.aspx>

**SECTION B. CONSULTANT INFORMATION:**

If there is a consultant involved in the project, please fill in the requested information about the consultant as accurately as possible. Please be sure to include Employer Identification Number (EIN). If there is no consultant, please place an “X” in the box next to “N/A”.

**SECTION C. PROJECT INFORMATION:**

Please fill in the requested information to identify the project.

Please be sure to include DEP Site Identification Number (if known), as well as select or write in the proper Site-to-Client Relationship and Code (listed below). Please leave blank if the information is unknown or there is a question regarding the proper answer or information. Please note however, that leaving out information may result in delays or denial of the authorization to use the GP.

AGENT	Agent for Owner or Operator	LESSE	Lessee	OPR	Operator	OTHER	Other
CONTR	Contractor for Owner or Operator	LESOP	Lessee/Operator	OWN	Owner	GEN	Generator
				OWNOP	Owner/Operator	PROWN	Property Owner

The applicant will provide the latitude and longitude coordinates for each proposed impact as required in Section G. The coordinates should be in decimal degrees. It is important to identify the method used to determine the latitude and longitude. Check the appropriate box matching the collection method used. Also check the appropriate box matching the Horizontal Reference Datum (or projection datum) employed in the latitude and longitude collection process. Identify the date of collection (mm/dd/yyyy) if latitude and longitude coordinates were collected via GPS, WAAS and LORAN.

Description of collection methods:

- EMAP:** Method based on eMAP Pa program. ([www.emappa.dep.state.pa.us](http://www.emappa.dep.state.pa.us)).
- HGIS:** Method based on the Pennsylvania Natural Heritage Program database (formerly known as PNDI). The database is located at [www.naturalheritage.state.pa.us](http://www.naturalheritage.state.pa.us). **Note: This method may be preferable since all GP registrations require a PNDI search be conducted.**
- GISDR:** Method based on the use of GIS and Digital Raster Graphic 1:24,000 scale USGS 7.5 minute quadrangle maps.
- ITPMP:** Method based on map interpolation of USGS 7.5 minute quadrangle maps.
- GPS:** Global Positioning method with unspecified parameters.
- WAAS:** Method base on GPS WAAS differentially correct.
- LORAN:** Method based on Loran C.

Types of Horizontal Reference Datum (or projection datum):

- NAD27:** North American Datum of 1927
- NAD83:** North American Datum of 1983
- WGS84:** World Geodetic System of 1984 (GEO84)

#### SECTION D. RESOURCE IDENTIFICATION:

Please place an "X" in the appropriate box to indicate if the applicant has identified that any of these resources may be present at the project site; indicate that no resources were identified or indicate and list those resources which were identified.

- National Register of Historic Places
- Exceptional Value (EV) Waters
- Wild or Stocked Trout Streams
- National Registry of Natural Landmarks
- High Quality (HQ) Waters
- Wild and Scenic Rivers
- Local historical site
- Threatened and Endangered Species
- Wetlands

Please review the conditions of the specific GP(s) as they pertain to these items prior to completing the Registration form to determine eligibility. The registration resource identification list in this form is not all-inclusive and other resources may also require certain restrictions or prohibit registering the GP. Identification of these resources on the project site may result in specific areas, sites or conditions where the GP does not apply and is not valid.

The following items are useful in identifying these resources:

- **Historic Places:** The Pennsylvania Historic and Museum Commission, Bureau for Historic Preservation manages the National Register of Historic Places for Pennsylvania. Access to these paper records is free and open to the public by appointment at the office in Harrisburg (see [Exhibit A - 3150-PM-BWEW0500A](#)).

Access to some of these data is available on the Cultural Resources Geographic Information System (CRGIS) at <http://www.phmc.pa.gov/Preservation/Cultural-Resources-GIS/Pages/default.aspx>.

- **National Natural Landmarks:** Additional information on National Natural Landmarks and the National Registry of Natural Landmarks is available at <http://www.nature.nps.gov/nnl/>.
- **Exceptional Value and High Quality Waters (including Exceptional Value Wetlands):** Additional information on Exceptional Value (EV) and High Quality (HQ) waters can be found on DEP's website at <http://www.dep.pa.gov/Business/Water/PointNonPointMgmt/WaterQuality/Pages/ExistingUse.aspx> and 25 Pa. Code Chapter 93 at <http://www.pacode.com/secure/data/025/chapter93/chap93toc.html>.

25 Pa. Code Chapter 93 also provides an important linkage to Exceptional Value Wetlands which are determined in 25 Pa. Code Chapter 105.17 found here <http://www.pacode.com/secure/data/025/chapter105/s105.17.html>.

- **Threatened and Endangered Species:** (see also Section E, Items 13 & 14 for requirements and documentation): Additional information on the Pennsylvania Natural Heritage Program (PNHP) regarding the presence of Federal threatened and endangered (T&E) species and State T&E species and species of special concern on the project site

and the PA Conservation Explorer, previously known as the Pennsylvania Natural Diversity Inventory (PNDI) Environmental Review Tool (PNDI ER Tool) can be accessed at <http://www.naturalheritage.state.pa.us/>

First time users will have to register at the website before conducting the review. Upon completion of the review, a PNDI Receipt, valid for a period of two years from the date the search was conducted, is automatically available for printing.

- **Wild and Stocked Trout Waters:** Additional information on Wild and Stocked Trout Waters can be found at [http://fishandboat.com/waters\\_trout.htm](http://fishandboat.com/waters_trout.htm).
- **Wild or Scenic Rivers:** Additional information on National or State Wild or Scenic rivers can be found at <http://www.rivers.gov/pennsylvania.php> and <http://www.dcnr.state.pa.us/brc/conservation/rivers/scenicrivers/index.htm>
- **Wetlands:** (see also Section E, Item 15 for requirements and documentation): Additional information on the 1987 Corps of Engineers Wetlands Delineation Manual and the appropriate Regional Supplements to the Corps of Engineers Wetland Delineation Manual for use in Pennsylvania can be found at [http://www.usace.army.mil/missions/civilworks/regulatoryprogramandpermits/reg\\_supp.aspx](http://www.usace.army.mil/missions/civilworks/regulatoryprogramandpermits/reg_supp.aspx)
- **Additional Information:** Additional Information on resource identification (including agency contact information) can be found on GP Registration [Exhibit A \(3150-PM-BWEW0500A\)](#) and [Exhibit B \(3150-PM-BWEW0500B\)](#); on DEP's website at <http://www.dep.pa.gov>; and on DEP's eLibrary at <http://www.elibrary.dep.state.pa.us>.

## SECTION E. REGISTRATION CHECKLIST AND REQUIREMENTS:

Please place an "X" next to each item (1-16) to ensure it is completed and/or provided. Unless otherwise specified, all items are required to ensure a **complete Registration package**. Please carefully read the terms and conditions of the GP(s) the applicant intends to register, as additional actions may be required outside of the registration and acknowledgement process prior to construction. Please retain the GP(s) terms and conditions to be available at the project site during construction.

Please provide **ONE (1) ORIGINAL** and **ONE (1) COPY** of the Registration package; retain an additional copy to be available at the project site during construction. Prepare the Registration package for submission beginning with the Registration form and follow by the required attachments in the order they are requested.

1. General Permit Registration form properly completed and signed

The original GP Registration form shall be accurately completed, signed and provided.

2. General Permit Registration Fee and Chapter 105 Fee Calculation Worksheet

The fee required for a project authorized under these GPs shall be consistent with 25 PA Code §105.13 (relating to regulated activities – information and fees). To determine the registration fee, please complete the [Chapter 105 Fee\(s\) Calculation Worksheet \(3150-PM-BWEW0553\)](#). Please provide the completed worksheet and a check for the applicable fee(s) made payable to the "Commonwealth of Pennsylvania Clean Water Fund" OR "\_\_\_\_\_ County Conservation District, Clean Water Fund", whichever is the reviewing entity.

3. Notification sent to the Municipality & County:

Please provide a copy of the Registration form to the Municipality & County in which the work will be performed. Please mark the checklist appropriately to indicate that the applicant has done so. Proof of receipt is not required to be provided to DEP, however if it is volunteered, it should be provided in this position within the Registration package.

4. [PASPGP-5 Reporting Criteria Checklist \(3150-PM-BWEW0051\)](#) properly completed:

PASPGP-5 Reporting Criteria Checklist must be completed and provided as part of all PADEP Chapter 105 applications / registrations to determine the appropriate federal Pennsylvania State Programmatic General Permit-5 (PASPGP 5) review procedure. Specific instructions are found on the form and should be carefully followed.

See PASPGP-5 Part II for definition of "Single and Ccomplete Pproject" prior to answering questions. PASPGP-5 can be found here: <http://www.nab.usace.army.mil/Missions/Regulatory/PermitTypesandProcess.aspx>

5. Location Map with project site marked:

The location map shall be 1:24000 scale 8 ½" x 11" photocopy of the appropriate portion of the U.S.G.S. Quadrangle Map with the project site marked. The Location Map may be a GIS generated map containing the required items with the project site marked.



## Instructions

## 6. Color Photographs with dates and descriptions:

Please provide color photographs of the project site area including dates and descriptions. The photos, dates and descriptions should be provided on an 8 ½" x 11" piece of paper.

Color photographs are only required for GP-3 and GP-11. Please see those permit conditions for additional details.

## 7. Stream Name and Chapter 93 Classification (example: UNT to HOUSE RUN, HQ-WWF/EV):

Please indicate the stream name and Chapter 93 classification in a format similar to the example. Please reference both the Designated Use Classification found in 25 Pa. Code Chapter 93 and the Existing Use Classification found on DEP's website (provided in Section D). If the stream segment is on the Existing Use list, then that classification should be provided.

The stream name will assist DEP or District reviewers in determining if the project or activity also requires a Submerged Lands License Agreement (SLLA). GPs shall not be effective to authorize any project on, under or over submerged lands of this Commonwealth until the owner has obtained a license from DEP authorizing the occupation of such submerged lands issued under Section 15 of the Dam Safety and Encroachments Act, (32 P.S. § 693.15), Section 514 of The Administrative Code of 1929 (71 P.S. § 194), or other applicable laws. Upon receipt of the Registration package, the Department will review the project to determine if its location is on, under or over submerged lands of the Commonwealth.

If applicable, DEP will prepare an SLLA and forward it to the applicant for execution prior to acknowledgement of registration to use the GP. An annual charge is required for facilities constructed, owned or operated except for categories of activities and structures at 25 Pa. Code § 105.35 (c)(1)-(7).

## 8. Project Description including potential impacts to waters and/or wetlands and T&amp;E species or species of special concern, the PNDI Receipt, and PNDI Avoidance Measures (if applicable):

Briefly describe the project, including proposed impacts to waters and/or wetlands. The Project Description may be provided on a separate sheet and included in the appropriate location as part of the Registration package.

If the PNDI Receipt for the project contains Avoidance Measures, please include the Avoidance Measures in the description.

Please prepare and provide a detailed chart of each proposed impact to waters and/or wetlands as it pertains to the project's activities per the instructions provided in Section G. Include a unique identifier (i.e. **Stream 1, Wetland 3, etc**) which will be used in all related items. The [Aquatic Resource Impact Table \(3150-PM-BWEW0557\)](#) worksheet or equivalent which provides all of the details requested must be attached as part of the Registration package.

## 9. Site Specific Drawing(s) depicting the project's site specific activities (or Standard Drawing):

Please provide a unique site specific drawing for the project and the GP being registered. Standard Drawings (included in the GPs) may be properly completed and provided when appropriate to the project and the GP being registered, but are not required.

If registering multiple GPs at one time, or the project has several locations, please including all applicable Site Specific and/or Standard Drawings for each GP and location. Please label each drawing with the unique identifier created for the Impact Table (Section E.8. above and Section G below).

## 10. Site Plan depicting the site of the project's General Permit activities:

Please prepare and provide a detailed Site Plan as it pertains to the project's activities per the instructions provided in Section F. If registering multiple GPs at one time, or the project has several locations, please mark all Standard Drawing locations on the Site Plan. Site Plan may consist of required items placed on or provided by a USGS Quadrangle map, aerial map, etc. If required information cannot be included on the Site Plan, it may be attached as part of the Registration package. For example, a FEMA map may be provided instead of including the 100 year flood elevation.

## 11. Erosion &amp; Sediment Control Plan (E&amp;S Plan) specific to the activity conducted under this permit

Work must be done in compliance with Chapter 102 of the Department's Rules and Regulations (relating to Erosion Control). Prior to construction, the applicant must provide an E&S Plan to be reviewed and deemed appropriate by the appropriate DEP Regional Office or delegated District in which the activities are proposed. The E&S Plan shall be implemented prior to, during and after construction. The E&S Plan is not a requirement for Registration of a GP (except GP-11 or GPs for oil and gas related activities), and does not need to be included in the Registration package.

## Instructions

If the applicant intends to register a GP-11 or a GP for oil and gas related activities an E&S Plan must be provided to be reviewed and deemed appropriate by the appropriate DEP Regional Office and shall be implemented prior to, during and after construction. The project site shall at all times be available for inspection by authorized employees of DEP or the delegated District. The E&S Plan shall be available at the project site during construction.

Guidance for preparing an E & S Plan, as well as BMP specifications that meet DEP requirements, can be found in the Department's [Erosion and Sediment Pollution Control Program Manual \(363-2134-008\)](#).

#### 12. Detailed Written Directions to Project Site:

Please provide detailed written driving directions or GPS coordinates to the project site. The directions should go to the location(s) of the GP activity(s), not just the project site entrance or access point. The directions and/or coordinates may be provided on a separate sheet and included in the appropriate location as part of the Registration package.

#### 13. Pennsylvania Natural Diversity Inventory (PNDI):

Coordination with the Pennsylvania Natural Heritage Program (PNHP) regarding the presence of Federal threatened and endangered (T&E) species and State T&E species and species of special concern on the project site is a regulatory requirement for this permit application/registration. Early coordination (prior to submission) with the appropriate jurisdictional agencies using the PA Conservation Explorer, previously known as the Pennsylvania Natural Diversity Inventory (PNDI) Environmental Review Tool (PNDI ER Tool), is the most effective means of timely permit decisions. To provide proof of coordination with PNHP and PNDI, applicants must submit a PNDI Receipt as part of the permit application/registration.

Please check the appropriate box indicating the information provided:

- PNDI reviews can still be obtained free-of-charge for users without access to a computer using the standard process of requesting a project review directly from each jurisdictional agency—PA Department of Conservation and Natural Resources (DCNR), PA Game Commission (PGC), PA Fish and Boat Commission (PFBC) and the U.S. Fish and Wildlife Service (US FWS) instead of generating a PNDI Receipt instantly through the PA Conservation Explorer. The standard PNDI review process user is responsible for securing PNDI Receipts from each jurisdictional agency—DCNR, PGC, PFBC and the U.S. FWS.
  - PNDI Receipts from each jurisdictional agency will be included with the application/registration package. The PNDI review is not complete or satisfied unless PNDI Receipts are included from all four jurisdictional agencies listed above. Applicants are encouraged to use the PA Conservation Explorer because using this tool is the most effective means of a timely permit decision.
- If the review determines there are potential impacts to a T&E species, the PNDI Receipt will provide an explanation of the potential impact(s) and instructions on how to resolve the potential impact(s). **READ AND FOLLOW THESE INSTRUCTIONS CAREFULLY.** Following the procedure outlined by the Department of Environmental Protection (DEP) in the Policy for Pennsylvania Natural Diversity Inventory (PNDI) Coordination During Permit Review and Evaluation, No. 021-0200-001 (PNDI Policy) will allow applicants to meet regulatory requirements.

There are two options available to applicants for handling PNDI coordination in conjunction with DEP's Permit Review Process: sequential review and concurrent review.

##### Sequential Review:

- The applicant runs the PNDI search and completes all coordination with the appropriate jurisdictional agencies, prior to submitting the permit application/registration. The applicant will include with the application/registration a PNDI Receipt, and clearance letter(s) from the jurisdictional agency(ies) if the PNDI Receipt shows a Potential Impact.
- If selecting sequential review, different items are required to be included as part of the permit application/registration based on the search results:
  - If the PNDI Receipt shows "No Known Impacts", please provide a copy of the signed PNDI Receipt as part of the Registration package.
  - If the PNDI Receipt contains "Avoidance Measures", the PNDI review is not complete or satisfied unless the applicant has signed where required on the PNDI Receipt, indicating he/she can and will fulfill the Avoidance Measure(s) for that project. DEP recommends including Avoidance Measures in the Project

Description. Please provide a copy of the PNDI Receipt signed as explained above and in the certification section as part of the Registration package.

- If the applicant cannot or chooses not to meet the Avoidance Measure(s), he/she must follow the same process for PNDI Receipts showing “Potential Impact”, outlined below.
- If the PNDI Receipt shows “Potential Impacts”, DEP and the jurisdictional agencies require that the applicant provide additional information outlined in the PNDI Receipt, to the agencies noted on the Receipt for further review. Please provide a copy of the signed PNDI Receipt showing “Potential Impacts” AND the additional information outlined on the PNDI Receipt along with proof of delivery to the appropriate jurisdictional agency(ies) where further coordination is required. If this coordination is not complete prior to submitting the permit application/registration package; the application/registration will be subject to the concurrent review process as outlined below

Concurrent Review:

- The applicant runs the PNDI search and will engage in consultation with the applicable jurisdictional agency(ies). DEP will allow technical review of the permit to occur concurrently with the T&E species and State species of special concern consultation with the jurisdictional agency(ies)
- If selecting a concurrent review, the applicant will include with the permit application/registration a signed PNDI Receipt processed through the PA Conservation Explorer OR PNDI receipts from each jurisdictional agency if the standard process of requesting a project review was used.
  - It is important to note, however, that the concurrent review option carries certain risks and consequences to the applicant, including:
    - The permit may not be issued/acknowledged until each potential impact is resolved. See DEP’s [Permit Review Process and Permit Decision Guarantee Policy, Document No. 021-2100-001 \(PRP/PDG Policy\)](#).
    - The proposed activity subject to the permit application/registration may need to be redesigned as a result of the PNDI consultation ([PNDI Policy](#) pages 7-8). *Note: Any substantive project or design changes to the application will require a new application and fee to be submitted.*

14. Bog Turtle Habitat Screening:

Bog Turtle Habitat screening is required for GPs 5, 6, 7, 8, 9, 11, and 15 which may impact wetlands in the following Counties: Adams, Berks, Bucks, Carbon (Aquashicola Creek Watershed only), Chester, Cumberland, Dauphin (Swatara Creek Watershed only), Delaware, Franklin (Antietam Creek Watershed), Lancaster, Lebanon, Lehigh, Monroe, Montgomery, Northampton, Schuylkill (Swatara Creek Watershed only) and York. Please check the appropriate box indicating the information is provided:

- Complete the [Request for a Bog Turtle Habitat Screening Form \(3150-PM-BWEW0550\)](#) and provide it as part of the Registration package. If the completed Request for a Bog Turtle Habitat Screening Form is the only information provided in the Registration package, additional review time will be required.
- Alternatively, if the applicant plans to contact an agency representative to schedule an on-site assessment of the wetlands for bog turtle habitat prior to providing the Registration package, different registration items are required based on the search results:
  - Copy of “No Effect” determination from the Army Corp of Engineers
  - Documented clearance from the US Fish and Wildlife Service

15. Activities which impact wetlands (temporary and/or permanent):

For activities which will impact wetlands (temporary and/or permanent), the following are required to be provided as part of the Registration package:

- A wetland delineation with complete data sheets in accordance with the 1987 Corps of Engineers Wetland Delineation Manual AND the appropriate Regional Supplements to the Corps of Engineers Wetland Delineation Manual for use in Pennsylvania.
- If permanent direct or indirect wetland impacts are greater than 0.05 acres and require compensatory mitigation or an applicant offers compensatory mitigation to address potential antidegradation concerns, include a wetland

replacement, restoration or enhancement plan in accordance with the Department's Replacement criteria which provides wetland replacement acreage or function at a minimum one to one acre ratio.

- If compensatory mitigation (for permanent direct or indirect wetland impacts) onsite is not feasible: A check payable to the National Fish and Wildlife Foundation, N.A. 1237, may be provided in accordance with the fee schedule below as compensatory mitigation for impacts in wetlands, in accordance with the Pennsylvania Wetland Replacement Project.

Fee Schedule:

Deminius impact ≤ .05 acre	\$ 0.00	> .20 acre to .30 acre -	\$2,500.00
> .05 acre to .10 acre -	\$ 500.00	> .30 acre to .40 acre -	\$5,000.00
> .10 acre to .20 acre -	\$1,000.00	> .40 acre to .50 acre -	\$7,500.00

16. Registration of a [GP-11](#):

Registration of a GP-11 can only be performed by DEP and requires additional information based on the details of the project, please check the appropriate box indicating the information is provided as part of the Registration package:

- N/A because not registering GP-11
- An E&S Plan shall be provided as part of the Registration package to be reviewed and deemed appropriate by the appropriate DEP Regional Office and shall be implemented prior to, during and after construction. The project site shall at all times be available for inspection by authorized employees of DEP or the delegated District. The E&S Plan shall be available at the site at all times.
- If the project includes a bridge or culvert replacement or the proposed work will change the waterway opening, please complete and provide the [Bridge and/or Culvert Replacement Projects or Projects That Change the Waterway Opening \(3150-PM-BWEW0552B\)](#) worksheet. If the project consists of similar work (replacement or change in waterway opening) on more than one structure, provide the data requested for each structure included in this Registration package.

**SECTION F. SITE PLAN**

Please prepare and provide a detailed Site Plan as it pertains to the project's activities as requested in Section E, Item 10. Please place an "X" in the appropriate box to indicate what is shown on the Site Plan; indicate that all items are included or indicate and list those items which were not included. Unless otherwise specified, all items are required to be included in the site plan.

- |  |   |
|--|---|
| • Stream Name (provide name of impacted stream)      | • Photograph location(s)                                    |
| • Stream Limits and Flow Direction                   | • 100 year Flood Elevation OR FEMA map with location marked |
| • Stream Impacts on site (including dimensions)      | • Limits of Earth Disturbance Associated with this Activity |
| • Wetlands on site (including acreage)               | • Location of Property Lines Relative to the Project        |
| • Wetland Impacts on site (including acreage)        | • Existing Utilities, Right Of Ways (ROWs), Easements       |
| • Other Waters (i.e. streams, pond, lakes)           | • Existing Buildings, Roadways, Other Structures            |
| • Site Specific and/or Standard Drawings location(s) | • Proposed Buildings, Roadway ROWs, Other Structures        |

**SECTION G. AQUATIC RESOURCE IMPACTS ASSOCIATED WITH PROJECT WORK SITE**

Please prepare and provide a detailed worksheet of the waters and/or wetlands impacts associated with the project work site as requested in Section E, Item 8; include the unique identifier, project/site name, date and applicant name/client, project information (including latitude and longitude) and waters and/or wetlands impact data in table format. Provide one row of data for each regulated (DEP Chapter 105 and Corps Section 404) structure or activity and type of impact for the proposed project based on the instructions for each requirement below; all dimensions should be reported to the nearest one (1) foot, rounding up.

Please place an "X" in the appropriate box to indicate what is included in the Aquatic Resources Impact Table indicate that all items are included or indicate and list those items which were not included. Depending on the details of project, not all impact types will be included in the table.

**Project Information:**

- Structure / Activity Unique Identifier for each regulated structure and/or activity being proposed
- Aquatic Resource being impacting; stream or wetland
- Aquatic Resource Type; based on wetland or stream
  - Stream type: perennial, intermittent, ephemeral stream or floodway
  - Wetland type: PEM, PSS, PFO or POW wetland
- Latitude (dd nad 83)
- Longitude (dd nad 83)
- Work proposed / impact type: aerial, boring, excavation or fill
- Waters Name: name of the stream or wetland (if available)
- PA Code Chapter 93 Designation:

**Army Corps of Engineers / Section 404 jurisdictional area:**

- Corps Impact Type: temporary, permanent or n/a;

Permanent Impacts – For the purpose of the PASPGP-5, permanent impacts are defined as waters of the United States, including jurisdictional wetlands indefinitely filled, flooded, excavated, or drained as a result of the regulated activity. Permanent impacts may or may not be considered a loss of waters of the United States, as defined above, since some permanent impacts, such as those associated with bank stabilization and stream/wetland enhancement projects, may not have a permanent adverse effect.

Temporary Impacts – For the purpose of the PASPGP-5, temporary impacts are defined as waters of the United States, including jurisdictional wetlands not filled, flooded, excavated, or drained for an indefinite period of time, and restored to pre-construction contours and elevation.

➤ "n/a" if no proposed work in, over, or under waters and/or wetlands

- Stream Impact: width, length and area of stream impact;
  - Width: top of bank to top of bank, of transverse and/or full channel fill stream impacts;
  - Length: down the center line of stream, of transverse and/or full channel fill stream impacts;
  - Area: direct and indirect/secondary stream impact; dewatering or fill placed in stream channel;
- "n/a" if impact is to a wetland OR if "n/a" to Corps Impact Type
- Wetland Impact: area of impacts to wetlands; indicate "n/a" if impact is to a stream OR if "n/a" to Corps Impact Type

**DEP / Chapter 105 jurisdictional area:**

- PADEP Impact Type: temporary or permanent.

Permanent Impacts are those areas affected by a water obstruction or encroachment that consist of both direct and indirect impacts that result from the placement or construction of a water obstruction or encroachment and include areas necessary for the operation and maintenance of the water obstruction or encroachment located in, along or across, or projecting into a watercourse, floodway or body of water.

Temporary Impacts are those areas affected during the construction of a water obstruction or encroachment that consists of both direct and indirect impacts located in, along or across, or projecting into a watercourse, floodway or body of water that are restored upon completion of construction. This does not include areas that will be maintained as a result of the operation and maintenance of the water obstruction or encroachment located in, along or across, or projecting into a watercourse, floodway or body of water (these are considered permanent impacts).

- Floodway Impact: direct and indirect/secondary 100-year floodway impact, including watercourse;
- Wetland Impact: Provide the square feet area of impacts to wetlands; indicate "n/a" if impact is to a stream

Provide completed aquatic resource impact table with Chapter 105 Water Obstruction and Encroachment application/registration. The [Aquatic Resources Impact Table \(3150-PM-BWEW0557\)](#) worksheet or equivalent may be used to complete this requirement.

**SECTION H. CERTIFICATION**

Please sign, indicate title and date in the appropriate locations. The Registration package will not be accepted unless the original form and copy are signed and dated by the applicant/owner. **See SECTION A. APPLICANT INFORMATION.**

Clarification on applicant/owner signature:

Individual– The Registration form must be signed by all owners listed within the deed of the property or lease/rental agreement with their original signatures. *For Individual(s), no indication of title is necessary.*

Instructions

Corporations – The Registration form must be signed by the President or Vice President, Attested by the Secretary (Assistant Secretary) or Treasurer (Assistant Treasurer).

*If others are signing on behalf of the corporation, a document evidencing delegation of contracting authority must be provided. Acceptance of the delegated documentation is at the sole discretion of DEP. Absent satisfactory documentation of signatory authority, only the above officers will be accepted as appropriate signatories.*

Government agencies – The Registration form must be signed by the Chief Officer or the President/Vice President of the government agency, if incorporated. Chief Clerk, Secretary or Treasurer Signature is required to witness or attest.

Partnerships – The Registration form must be signed by either one general partner to bind the partnership or all partners must sign. For Limited Partnerships (LP), where each individual is a general partner, any general partner may sign. If a corporation is a general partner, the signage must 1) indicate the name of the corporation, 2) that it is a general partner, and 3) the signature of the President or Vice President *and* the signature of the Secretary or Treasurer.

*If others are signing on behalf of the Limited Partnership, a document evidencing delegation of contracting authority must be provided. Acceptance of the delegated documentation is at the sole discretion of DEP. Absent satisfactory documentation of signatory authority, only the above officers will be accepted as appropriate signatories.*

Limited Liability Companies – The Registration form must be signed by a member for a Limited Liability Company (LLC), where it is member managed; where it is manager managed, a manager must sign. Please indicate whether the person is signing as a “Member” or as a “Manager” of the LLC, according to the Company’s Limited Liability Company Operating Agreement.

*If anyone other than a “Member” or “Manager” are signing on behalf of the LLC, documentation of authority to sign on behalf of the LLC must be provided.*

This GP shall not be authorized until the E&S Plan has been reviewed by the appropriate DEP Regional Office or District, Federal Authorization has been obtained and, where required, an SLLA has been obtained from DEP.

## SECTION I. ACKNOWLEDGEMENT

Upon review of this Registration package, the applicant will receive an acknowledgment letter and **one (1) copy** of the signed GP Registration form acknowledging use of the GP(s) and federal authorization under Pennsylvania State Programmatic General Permit (PASPGP). Included with PASPGP authorization will be the PASPGP Permit Compliance, Self-Certification Form which must be completed, signed and returned to the appropriate Army Corp of Engineers District office, once the project is completed. If PASPGP is not attached, work on the project may NOT begin work until federal authorization is obtained.

The acknowledgement letter, Registration package (including acknowledged Registration form), the GP(s) terms and conditions, required Federal authorization(s), and the E&S Plan must be maintained and available at the project site during construction. Please remember the authorization is subject to all terms and conditions listed in the GP(s).





## CHAPTER 105 WATER OBSTRUCTIONS AND ENCROACHMENT GENERAL PERMIT REGISTRATION

<b>PLEASE MARK ("X") ALL THAT APPLY:</b> <input type="checkbox"/> GP- 1 Fish Habitat Enhancement Structures <input type="checkbox"/> GP- 2 Small Docks & Boat Launching Ramps  <b>Please mark ("X") the specific type of project:</b> <input type="checkbox"/> private recreational dock <input type="checkbox"/> public access facility <input type="checkbox"/> public service facility <input type="checkbox"/> other private or commercial facility <input type="checkbox"/> GP- 3 Bank Rehabilitation, Bank Protection and Gravel Bar Removal <input type="checkbox"/> GP- 4 Intake and Outfall Structures				<input type="checkbox"/> GP- 5 Utility Line Stream Crossing <input type="checkbox"/> GP- 6 Agricultural Crossings & Ramps <input type="checkbox"/> GP- 7 Minor Road Crossings <input type="checkbox"/> GP- 8 Temporary Road Crossings <input type="checkbox"/> GP- 9 Agricultural Activities <input type="checkbox"/> GP-10 Abandoned Mine Reclamation <input type="checkbox"/> GP-11 Maintenance, Testing, Repair, Rehabilitation, or Replacement of Water Obstructions and Encroachments (reviewed by DEP Regional Office only) <input type="checkbox"/> GP-15 Private Residential Construction in Wetlands					
<input type="checkbox"/> Activity Related to Oil and Gas Exploration, Production or Transmission									
<input type="checkbox"/> Activity Subject to FERC approval (Docket number _____)				<input type="checkbox"/> FERC Natural Gas Act Facility					
<b>SECTION A. APPLICANT INFORMATION</b>									
<b>Applicant's Name / Client</b>					<b>DEP Client ID#</b> (if known)		<b>Employer ID#</b> (EIN)		
<b>Client Information</b> - Please select Client Type / Code from drop down box under the correct entity shown to the right. (or may be written in) →				<b>Government</b>		<b>Non-Government</b>	<b>Individual</b>		
<b>Mailing Address</b>				<b>City</b>		<b>State</b>	<b>ZIP + 4</b>		
<b>Contact Person – Last Name</b>			<b>First</b>	<b>MI</b>	<b>Suffix</b>	<b>Telephone</b> (    )		<b>Email Address</b>	
<b>SECTION B. CONSULTANT INFORMATION</b> (Complete if different than above) <input type="checkbox"/> <b>N/A</b>									
<b>Contact Person – Last Name</b>				<b>First</b>	<b>MI</b>	<b>Suffix</b>	<b>Consultant's Title</b>		<b>Consulting Firm</b>
<b>Mailing Address</b>				<b>City</b>		<b>State</b>	<b>ZIP + 4</b>		
<b>Telephone</b> (    )		<b>Fax</b> (    )		<b>Email</b>			<b>Employer ID# (EIN)</b>		
<b>SECTION C. PROJECT INFORMATION</b>									
<b>Project /Site Name:</b>					<b>DEP Site ID#</b> (if known or leave blank)				
<b>Client Relationship</b> - Please select Site-to-Client Relationship / Code from drop down box to the right. (or may be written in) →					Double-click on shaded area below to select correct Site-to-Client Relationship / Code ↓				
<b>County</b>		<b>Municipality</b>		<input type="checkbox"/> City	<input type="checkbox"/> Borough	<input type="checkbox"/> Township			
<b>Site Location / Address</b>				<b>City</b>		<b>State</b>	<b>ZIP + 4</b>		
<b>Collection Method:</b> <input type="checkbox"/> EMAP <input type="checkbox"/> HGIS <input type="checkbox"/> GISDR* <input type="checkbox"/> ITPMP <input type="checkbox"/> GPS <input type="checkbox"/> WAAS <input type="checkbox"/> LORAN Check the horizontal reference datum (or projection datum) employed in the collection method. EMAP and HGIS (PNDI) have known datum and do not require checking here. <input type="checkbox"/> NAD27 <input type="checkbox"/> NAD83 <input type="checkbox"/> WGS84 (GEO84) Enter the date of collection if coordinates were derived from GPS, WAAS or LORAN.    ____ mm ____ dd ____ yyyy									





Applicant's Name	GENERAL PERMIT REGISTRATION			
Please place an "X" next to each item (1 - 16) to ensure it is completed and/or provided. (continued)			Applicant Entry	DEP Use Only
<b>14. Bog Turtle Habitat Screening:</b> Please place an "X" next to the appropriate box indicating the information provided: - Completed Request for a Bog Turtle Habitat Screening Form..... - "No Effect" determination from the Army Corp of Engineers..... - Documented clearance from the US Fish and Wildlife Services..... - N/A due to GP type, wetland impact and/or County of project.....				
<b>15. Activities which impact wetlands:</b> Please place an "X" next to the appropriate box indicating the information provided: - N/A because no wetland impacts are proposed or no compensatory mitigation is necessary. - A wetland delineation with complete data sheets in accordance with the 1987 Corps of Engineers Wetland Delineation Manual AND the appropriate Regional Supplements to the Corps of Engineers Wetland Delineation Manual for use in Pennsylvania..... - If direct or indirect wetland impacts are greater than 0.05 acres, a compensatory mitigation plan in accordance with the Department's Replacement criteria which provides compensation at a minimum one to one acre ratio..... - <b>If compensatory mitigation onsite is determined not feasible:</b> A check, number _____, in the amount of \$_____ payable to the National Fish and Wildlife Foundation, N.A. 1237, as compensatory mitigation for _____ acres of impact in wetlands, in accordance with the Pennsylvania Wetland Replacement Project.....				
<b>16. Registration of a GP-11:</b> Please place an "X" next to the appropriate box indicating the worksheet(s) provided: - N/A because not registering use of GP-11..... - E&S Plan..... - Bridge and/or Culvert Replacement Projects or Projects That Change the Waterway Opening				
<b>SECTION F. SITE PLAN</b>				
Please place an "X" next to the appropriate box indicating what is shown on the site plan. Unless otherwise specified in the permit, all items are <b>required</b> to ensure a complete Registration package. All items included on Site Plan..... Items <u>not</u> included on Site Plan and reason: - _____ - _____ - _____			Applicant Entry	DEP Use Only
<b>SECTION G. IMPACT TABLE</b>				
Please place an "X" next to the appropriate box indicating what is shown on the Impact Table. The <u>Aquatic Resource Impact Table (3150-PM-BWEW0557)</u> worksheet or equivalent is required. All information included on Impact Table..... Information <u>not</u> included on Impact Table and reason: - Project Information: _____ - Corps / 404: _____ - DEP / 105: _____			Applicant Entry	DEP Use Only

<b>Applicant's Name</b>	<b>GENERAL PERMIT REGISTRATION</b>
-------------------------	------------------------------------

**SECTION H. CERTIFICATION**

I certify under penalty of law that the information provided in this permit registration is true and correct to the best of my knowledge and information and that I possess the authority to undertake the proposed action. I am aware that there are significant penalties for submitting false information, including the possibility of fine and imprisonment for knowing violations. (If any of the information and/or plans is found to be in error, falsified, and/or incomplete, this authorization/verification may be subject to modification, suspension, or revocation in accordance with applicable regulations.)

Signature of Applicant/Owner	Date
------------------------------	------

Typed / Printed Name

Typed / Printed Title

**PA Fish and Boat Commission Approval (for GP-1 only)**

Signature of Reviewer	Date
-----------------------	------

Reviewer's Typed / Printed Name	(      )
---------------------------------	----------

Reviewer's Typed / Printed Title	Phone Number
----------------------------------	--------------

Reviewer's Typed / Printed Title	Email Address
----------------------------------	---------------

*This General Permit shall not be effective until the owner has had their E&S Plan reviewed by the appropriate Regional Office or District, obtained Federal Authorization and, where required, obtained an SLLA from DEP.*

**AN ACKNOWLEDGED COPY OF THIS GENERAL PERMIT REGISTRATION PACKAGE (INCLUDING THE ACKNOWLEDGEMENT LETTER AND TERMS AND CONDITIONS), REQUIRED FEDERAL AUTHORIZATION, AND THE E&S PLAN MUST BE AVAILABLE AT THE PROJECT SITE DURING CONSTRUCTION.**

**SECTION I. ACKNOWLEDGEMENT – DEP USE ONLY**

**Signatures authorizing acknowledgment to use and register:**

<b>A. Completeness Review:</b>		<b>Completeness Status</b>
DEP / District Reviewer Signature	Begin Date: _____	<input type="checkbox"/> YES <input type="checkbox"/> NO
Reviewer's Typed / Printed Name	Incomplete Date: _____	
	Response Date: _____	
	End Date: _____	

<b>B. Eligibility Review:</b>		
DEP / District Reviewer Signature	Begin Date: _____	<input type="checkbox"/> Deficient - <b>DENIED</b>
Reviewer's Typed / Printed Name	Incomplete Date: _____	
	Response Date: _____	
	End Date: _____	

<b>C. Decision Review:</b>		<b>Disposition Status</b>
DEP / District Manager Signature	Begin Date: _____	<input type="checkbox"/> WITHDRAWN <input type="checkbox"/> <b>APPROVED</b> <input type="checkbox"/> RETURNED <input type="checkbox"/> <b>DENIED</b>
Reviewer's Typed / Printed Name	End Date: _____	

<b>D. Contact Information:</b>		
Typed / Printed Name	(      )	Email Address
	Phone Number	

<b>E. Permit Tracking:</b>	Received _____	Acknowledged _____	SLLA required: <input type="checkbox"/> NO <input type="checkbox"/> YES	PASPGP-5: <input type="checkbox"/> NO <input type="checkbox"/> YES <input type="checkbox"/> REP	
				<input type="checkbox"/> NONREP	
	GP - _____	GP - _____	GP - _____	GP - _____	GP - _____
Notes: _____					

**EXHIBIT A**

**PENNSYLVANIA OFFICES**

**PENNSYLVANIA FISH AND BOAT COMMISSION**

<b>Regional Headquarters Address</b>	<b>County Responsibility</b>
<b>Northwest Region</b>	
Regional Manager 11528 Highway 98 Meadville, PA 16335-7320 814-337-0444	Butler, Clarion, Crawford, Erie, Forest, Lawrence, Mercer, Venango and Warren
<b>Southwest Region</b>	
Regional Manager 236 Lake Road Somerset, PA 15501-1644 814-445-8974	Allegheny, Armstrong, Beaver, Cambria, Fayette, Greene, Indiana, Somerset, Washington and Westmoreland
<b>Northcentral Region</b>	
Regional Manager 1150 Spring Creek Road Bellefonte, PA 16823 814-359-5250	Cameron, Centre, Clearfield, Clinton, Elk, Jefferson, Lycoming, McKean, Montour, Northumberland, Potter, Snyder, Tioga and Union
<b>Southcentral Region</b>	
Regional Manager 1704 Pine Road Newville, PA 17241 717-486-7087	Adams, Bedford, Blair, Cumberland, Dauphin, Franklin, Fulton, Huntingdon, Juniata, Lebanon, Mifflin, Northumberland (Mahatango Creek in Jordan and Lower Mahanoy Townships only), Perry and York
<b>Southeast Region</b>	
Regional Manager P.O. Box 9 Elm, PA 17521 717-626-0228	Berks, Bucks, Chester, Delaware, Lancaster, Lehigh, Montgomery, Northampton, Philadelphia and Schuylkill
<b>Northeast Region</b>	
Regional Manager 5566 Main Road Sweet Valley, PA 18656 570-477-5717	Bradford, Carbon, Columbia, Lackawanna, Luzerne, Monroe, Pike, Sullivan, Susquehanna, Wayne and Wyoming

**PENNSYLVANIA FISH AND BOAT COMMISSION continued**

**DIVISION OF ENVIRONMENTAL SERVICES**  
450 Robinson Lane, Bellefonte, PA 16823-9620  
814-359-5147

**DIVISION OF FISHERIES MANAGEMENT**  
450 Robinson Lane, Bellefonte PA 16823-9620  
814-359-5110

**BUREAU OF LAW ENFORCEMENT**  
Aids to Navigation Coordinator  
P.O. Box 67000, Harrisburg, PA 17106  
717-705-7861

**PENNSYLVANIA HISTORIC AND MUSEUM COMMISSION**

BUREAU FOR HISTORIC PRESERVATION  
Commonwealth Keystone Building,  
400 North Street, 2nd Floor,  
Harrisburg, PA 17120-0093  
717-783-8946

**PENNSYLVANIA DEPARTMENT OF CONSERVATION AND NATURAL RESOURCES**

BUREAU OF FORESTRY  
ECOLOGICAL SERVICES SECTION  
P.O. Box 8552,  
Harrisburg, PA 17105-8852  
717-787-3444

**EXHIBIT B**

**U.S. ARMY CORPS OF ENGINEERS DISTRICT OFFICES  
AND  
DEPARTMENT OF ENVIRONMENTAL PROTECTION REGIONAL OFFICES**

**U.S. ARMY CORPS OF ENGINEERS DISTRICT OFFICES**

<b>Ohio River Basin Portions of Lake Erie and Genesee River Basins Located in PA</b>	<b>Susquehanna River Basin</b>	<b>Delaware River Basin</b>
Pittsburgh District Corps of Engineers Regulatory Branch Federal Building, 20 <sup>th</sup> Floor 1000 Liberty Avenue Pittsburgh, PA 15222  Phone: 412-395-7155 Fax: 412-644-4211	Baltimore District Corps of Engineers Pennsylvania Field Office 1631 South Atherton Street, Suite 101 State College, PA 16801  Phone: 814-235-0570 Fax: 814-235-0576	Philadelphia District Corps of Engineers Regulatory Branch Wanamaker Building 100 Penn Square East Philadelphia, PA 19107  Phone: 215-656-6725 Phone: 215-656-6729 (to report violations) Fax: 215-656-6724

**DEPARTMENT OF ENVIRONMENTAL PROTECTION REGIONAL OFFICES**

***General Permit Registrations associated with oil and gas activities -***

The General Permit Registration form and other associated documents must be sent to the appropriate DEP Bureau of Oil and Gas Management, Surfaces Permitting Section, Regional Office listed below.

**Bureau of Oil and Gas Management  
Surfaces Permitting Section**

**County Responsibility**

**Northwest Regional Office**

230 Chestnut Street  
 Meadville, PA 16335  
 (814) 332-6860

Butler, Clarion, Crawford, Elk, Erie, Forest, Jefferson,  
 Lawrence, McKean, Mercer, Venango and Warren

**Southwest Regional Office**

400 Waterfront Drive  
 Pittsburgh, PA 15222-4745  
 (412) 442-4024

Allegheny, Armstrong, Beaver, Cambria, Fayette,  
 Greene, Indiana, Somerset, Washington and  
 Westmoreland

**Eastern Regional Office**

208 W. Third Street, Suite 101  
 Williamsport, PA 17701  
 (570) 974-2602

Adams, Bedford, Berks, Blair, Bradford, Bucks, Carbon,  
 Cameron, Centre, Chester, Clearfield, Clinton, Columbia,  
 Cumberland, Dauphin, Delaware, Franklin, Fulton,  
 Huntingdon, Juniata, Lackawanna, Lancaster, Lebanon,  
 Lehigh, Luzerne, Lycoming, Mifflin, Monroe, Montgomery,  
 Montour, Northampton, Northumberland, Perry,  
 Philadelphia, Pike, Potter, Schuylkill, Snyder, Sullivan,  
 Susquehanna, Tioga, Union, Wayne, Wyoming and York

**DEPARTMENT OF ENVIRONMENTAL PROTECTION REGIONAL OFFICES continued*****General Permit Registrations not associated with oil and gas activities –***

The General Permit Registration form and other associated documents must be sent to the appropriate delegated County Conservation District (see Exhibit C). This process does not apply to GP-11 or GP-15, which are sent to the DEP Regional Offices.

If the County Conservation District has not been delegated responsibility under the Chapter 105 program the General Permit Registration form and other associated documents must be sent to the appropriate DEP Permitting and Technical Service Section, Regional Office listed below.

<b>Permitting and Technical Services Section</b>	<b>County Responsibility</b>
<b>Northwest Regional Office</b> 230 Chestnut Street Meadville, PA 16335 (814) 332-6984	Butler, Clarion, Crawford, Elk, Erie, Forest, Jefferson, Lawrence, McKean, Mercer, Venango and Warren
<b>Southwest Regional Office</b> 400 Waterfront Drive Pittsburgh, PA 15222-4745 (412) 442-4315	Allegheny, Armstrong, Beaver, Cambria, Fayette, Greene, Indiana, Somerset, Washington and Westmoreland
<b>Northcentral Regional Office</b> 208 W. Third Street, Suite 101 Williamsport, PA 17701 (570) 327-0529	Bradford, Cameron, Centre, Clearfield, Clinton, Columbia, Lycoming, Montour, Northumberland, Potter, Snyder, Sullivan, Tioga and Union
<b>Southcentral Regional Office</b> 909 Elmerton Avenue, Second Floor Harrisburg, PA 17110 (717) 705-4802	Adams, Bedford, Berks, Blair, Cumberland, Dauphin, Franklin, Fulton, Huntingdon, Juniata, Lancaster, Lebanon, Mifflin, Perry and York
<b>Northeast Regional Office</b> 2 Public Square Wilkes-Barre, PA 18711-0790 (570) 826-2511	Carbon, Lackawanna, Lehigh, Luzerne, Monroe, Northampton, Pike, Schuylkill, Susquehanna, Wayne and Wyoming
<b>Southeast Regional Office</b> 2 East Main Street Norristown, PA 19401 (484) 250-5970	Bucks, Chester, Delaware, Montgomery and Philadelphia

**Delegated Programs**

- ◆ Chapter 105
- NPDES and E&S Permits

## EXHIBIT C

### CONSERVATION DISTRICTS

- Adams County  
670 Old Harrisburg Rd., Suite 201  
Gettysburg, PA 17325  
717-334-0636
- Allegheny County  
◆ 33 Terminal Way, Suite 325B  
Pittsburgh, PA 15219  
412-241-7645
- Armstrong County  
Armsdale Admin. Building  
124 Armsdale Rd., Suite B-2  
Kittanning, PA 16201  
724-548-3425
- Beaver County  
◆ 156 Cowpath Rd.  
Aliquippa, PA 15001  
724-378-1701
- Bedford County  
702 W. Pitt St., Suite 4  
Bedford, PA 15522  
814-623-7900 Ext. 4
- Berks County  
◆ 1238 County Welfare Rd., Suite 200  
Leesport, PA 19533  
610-372-4657 Ext. 5
- Blair County  
1407 Blair St.  
Hollidaysburg, PA 16648  
814-696-0877 Ext. 5
- Bradford County  
◆ Stoll Natural Resource Center  
RR 5, Box 5030C,  
Towanda, PA 18848  
570-265-5539 Ext. 6
- Bucks County  
1456 Ferry Rd., Suite 704  
Doylestown, PA 18901  
215-345-7577
- Butler County  
◆ 122 McCune Dr.  
Butler, PA 16001  
724-284-5270
- Cambria County  
◆ 401 Candlelight Dr., Suite 221  
Ebensburg, PA 15931  
814-472-2120
- Cameron County  
◆ 20 E. Fifth St., Room 105  
Emporium, PA 15834  
814-486-9353
- Carbon County  
5664 Interchange Rd.  
Lehighton, PA 18235  
610-377-4894 Ext. 4
- Centre County  
◆ 414 Holmes Ave., Suite 4  
Bellefonte, PA 16823  
814-355-6817
- Chester County  
Willowdale Town Center  
688 Unionville Rd., Suite 200  
Kennett Square, PA 19348  
610-925-4920
- Clarion County  
County Administrative Building  
330 Main Street, Room 9  
Clarion, PA 16214  
814-226-4070 Ext. 113
- Clearfield County  
650 Leonard St.  
Clearfield, PA 16830  
814-765-2629
- Clinton County  
◆ 45 Cooperation Lane  
Mill Hall, PA 17751  
570-726-3798
- Columbia County  
◆ 702 Sawmill Rd., Suite 204  
Bloomsburg, PA 17815  
570-784-1310 Ext. 5
- Crawford County  
◆ Woodcock Creek Nature Center  
21742 German Rd.  
Meadville, PA 16335  
814-763-5269
- Cumberland County  
310 Allen Rd., Suite 301  
Carlisle, PA 17013  
717-240-7812
- Dauphin County  
1451 Peters Mountain Rd.  
Dauphin, PA 17018  
717-921-8100
- Delaware County  
◆ Rose Tree Park Hunt Club  
1521 N. Providence Rd.  
Media, PA 19063  
610-892-9484
- Elk County  
◆ P.O. Box 448  
300 Center St.  
Ridgway, PA 15853  
814-776-5373
- Erie County  
◆ 1927 Wager Rd.  
Erie, PA 16509  
814-825-6403
- Fayette County  
10 Nickman Plaza  
Lemont Furnace, PA 15456  
724-438-4497
- Forest County  
526 Elm St., Box 4  
Tionesta, PA 16353  
814-755-3560
- Franklin County  
185 Franklin Farm Lane  
Chambersburg, PA 17202  
717-264-5499
- Fulton County  
216 N. Second St., Suite 15  
McConnellsburg, PA 17233  
717-485-3547
- Greene County  
◆ 19 S Washington St., Suite 150  
Waynesburg, PA 15370-1839  
724-852-5278
- Huntingdon County  
10605 Raystown Rd., Suite A  
Huntingdon, PA 16652  
814-627-1627
- Indiana County  
◆ 625 Kolter Dr., Suite 8  
Indiana, PA 15701  
724-471-4751
- Jefferson County  
◆ 1514 Route 28  
Brookville, PA 15825  
814-849-7463
- Juniata County  
146 Stoney Creek Dr.  
Mifflintown, PA 17059  
717-436-8953 Ext. 5
- Lackawanna County  
1300 Old Plank Rd.  
Mayfield, PA 18433  
570-281-9495
- Lancaster County  
◆ 1383 Arcadia Rd., Room 200  
Lancaster, PA 17601-3149  
717-299-5361 Ext. 5
- Lawrence County  
430 Court St.  
New Castle, PA 16101  
724-652-4512

- Lebanon County  
Lebanon Valley Ag. Center  
2120 Cornwall Rd., Suite 5  
Lebanon, PA 17042-9788  
717-272-3908 Ext. 4
- Lehigh County  
Lehigh Ag. Center, Suite 102  
4184 Dorney Park Rd.  
Allentown, PA 18104  
610-391-9583
- Luzerne County  
325 Smiths Pond Rd.  
Shavertown, PA 18708  
570-674-7991
- Lycoming County  
542 County Farm Rd., Suite 202  
Montoursville, PA 17754  
570-433-3003
- McKean County  
◆ 17137 Route 6  
Smethport, PA 16749  
814-887-4001
- Mercer County  
◆ 753 Greenville Rd.  
Mercer, PA 16137-5023  
724-662-2242
- Mifflin County  
20 Windmill Hill #4  
Burnham, PA 17009  
717-248-4695
- Monroe County  
◆ 8050 Running Valley Rd.  
Stroudsburg, PA 18360  
570-629-3060
- Montgomery County  
143 Level Rd.  
Collegeville, PA 19426  
610-489-4506
- Montour County  
◆ 112 Woodbine Lane, Suite 2  
Danville, PA 17821  
570-271-1140
- Northampton County  
Greystone Building.  
14 Gracedale Ave.  
Nazareth, PA 18064  
610-746-1971
- Northumberland County  
◆ 441 Plum Creek Rd.  
Sunbury, PA 17801  
570-495-4665 Ext. 4
- Perry County  
P.O. Box 36  
31 W. Main St.,  
New Bloomfield, PA 17068  
717-582-8988 Ext. 4
- Pike County  
◆ 556 Route 402  
Hawley, PA 18428  
570-226-8220
- Potter County  
◆ 107 Market St.  
Coudersport, PA 16915  
814-274-8411 Ext. 4
- Schuylkill County  
1206 AG Center Dr.  
Pottsville, PA 17901  
570-622-3742 Ext. 5
- Snyder County  
10541 Route 522  
Middleburg, PA 17842  
570-837-3000 Ext. 0
- Somerset County  
6024 Glades Pike, Suite 103  
Somerset, PA 15501  
814-445-4652 Ext. 5
- Sullivan County  
9219 Route 487, Suite B  
Dushore, PA 18614  
570-928-7057
- Susquehanna County  
◆ 81 Public Ave  
Montrose, PA 18801  
570-278-4600 Ext. 280
- Tioga County  
◆ 50 Plaza Lane  
Wellsboro, PA 16901  
570-724-1801 Ext. 3
- Union County  
◆ 155 N. 15<sup>th</sup> St.  
Lewisburg, PA 17837  
570-524-3860
- Venango County  
1793 Cherrytree Rd.  
Franklin, PA 16323  
814-676-2832
- Warren County  
◆ 300 Hospital Dr., Suite D  
Warren, PA 16365  
814-726-1441
- Washington County  
◆ 100 W. Beau St., Suite 105  
Washington, PA 15301  
724-228-6774
- Wayne County  
◆ Wayne Co. Park St. Complex  
648 Park St.  
Honesdale, PA 18431  
570-253-0930
- Westmoreland County  
◆ Center for Conservation Ed.  
218 Donohoe Rd.  
Greensburg, PA 15601  
724-837-5271
- Wyoming County  
1 Hollowcrest Complex  
Tunkhannock, PA 18657  
570-836-2589 Ext. 3
- York County  
118 Pleasant Acres Rd.  
York, PA 17402  
717-840-7430



## CHAPTER 105 FEE(S) CALCULATION WORKSHEET

Additional information can be found at [25 PA Code §105.13](#) (relating to regulated activities – information and fees), the General Permit Registration ([3150-PM-BWEW0500](#)), the Joint Permit Application ([3150-PM-BWEW0036](#)) and the Dam Permit Application ([3140-PM-BWEW0001](#))

Federal, State, county or municipal agencies or municipal authorities:

EXEMPT from fees

These entities are exempt from these fees. If the applicant falls into one of these categories, please check the box above and provide only the first page of this worksheet with the project application or registration.

### ALL OTHERS:

1. Please place an “X” in the box next to all authorizations that apply to the project and complete the fee information below those authorization(s). Projects may require multiple authorizations and fees, further clarification and examples are included below and at the end of this document.
2. Total each authorization, Section, and Part. Part One is for Water Obstructions and Encroachment authorizations, Part Two is for Dam Safety authorizations.
3. Please provide this completed worksheet (page 1 and page 2 and/or page 3, as is appropriate to the project) and a check for the applicable fee(s) with the project application or registration. The check should be made payable to the “**Commonwealth of Pennsylvania Clean Water Fund**” OR “**\_\_\_\_\_ Conservation District Clean Water Fund**”, whichever is the reviewing entity.

### NOTES:

Per 25 PA Code §105.13(c)(2)(iii) Disturbance review fees are calculated by individually adding all of the permanent and temporary impacts to waterways, floodways, floodplains and bodies of water including wetlands to the next highest tenth acre and multiplying the permanent and temporary impacts by the respective fees and then these amounts are added to the other applicable fees.

Entities proposing structures or activities to occupy a Submerged Lands of the Commonwealth must obtain a Submerged Lands License Agreement (SLLA) and pay the appropriate annual charge. The applicant will be contacted if this charge applies to the project.

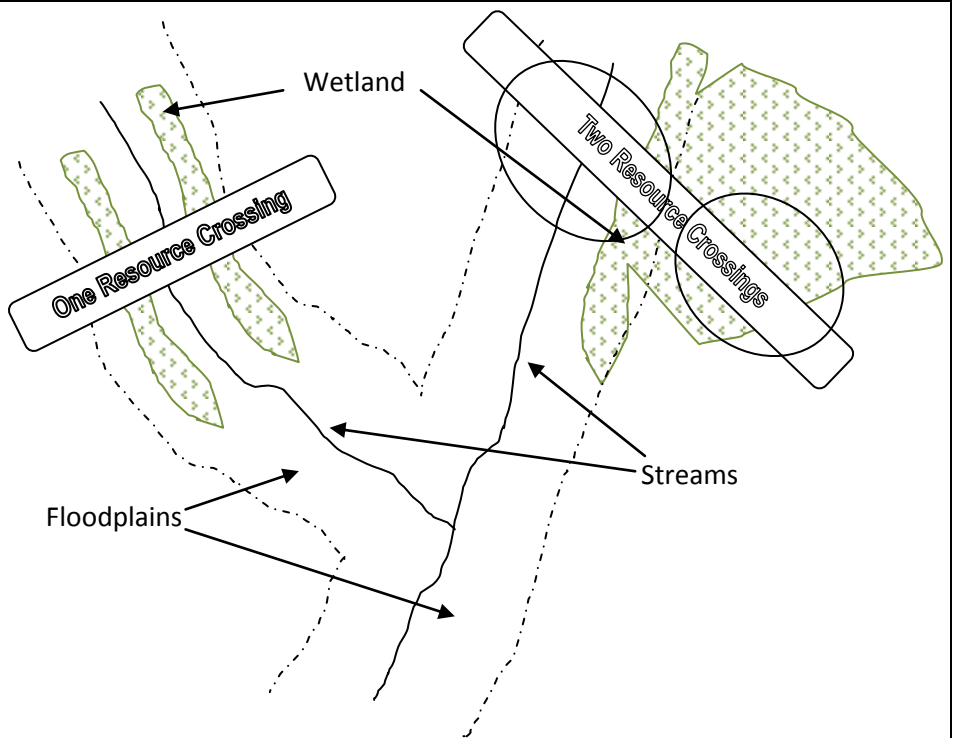
**Floodway** – The channel of the watercourse and portions of the adjoining floodplains which are reasonably required to carry and discharge the 100-year frequency flood. Unless otherwise specified, the boundary of the floodway is as indicated on maps and flood insurance studies provided by FEMA. In an area where no FEMA maps or studies have defined the boundary of the 100-year frequency floodway, it is assumed, absent evidence to the contrary, that the floodway extends from the stream to 50 feet from the top of the bank of the stream.

### Wetland and Stream Clarification:

<sup>1</sup> In many instances, wetlands are located within the floodplain of a stream. These resources for the purposes of calculating disturbance fees are considered co-located or overlapping and the area of disturbance would only be used once.

<sup>2</sup> In the case of GP-5, GP-7 and GP-8 fees are charged per structure per resource crossing and the following also applies to the disturbance fees:

- A crossing of the stream and the floodplain with wetlands present within the floodplain is considered one resource crossing.
- When the crossing traverses a stream and the floodplain and a wetland that is located outside of the floodplain or a wetland that extends out beyond the floodplain, it is considered two resource crossings.



# PART ONE: WATER OBSTRUCTIONS AND ENCROACHMENTS

## SECTION A. APPLICATION FEES

**WATER OBSTRUCTION AND ENCROACHMENT PERMIT** (Joint Permit Application)

Some activities or structures within a project may also qualify for an accumulation of General Permit fees, please mark the box above indicating an Individual Water Obstruction and Encroachment Permit AND the corresponding fee(s) in the General Permit section below those. Activities or structures not qualifying for a General Permit fee must include a disturbance fee.

<input type="checkbox"/> Administrative Filing Fee <sup>1</sup> .....		\$ 1,750	+	
<input type="checkbox"/> Temporary Disturbance (\$400/0.1ac) .....	_____ acres x \$4,000 =	\$ _____	+	
<input type="checkbox"/> Permanent Disturbance (\$800/0.1ac) .....	_____ acres x \$8,000 =	\$ _____		= \$ _____
<b>WO&amp;E FEE subtotal (a)</b>				<b>\$ _____</b>

**GENERAL PERMIT(S)** (select activity/structure(s) below, see page 4 for “#” explanation)

Some activities or structures within a project requiring an Individual Water Obstruction and Encroachment Permit may qualify for an accumulation of General Permit fees, please mark the corresponding fee(s) below but not the box above indicating a General Permit.

<input type="checkbox"/> GP-1 Fish Habitat Enhancement Structures .....		\$ 50		= \$ _____
<input type="checkbox"/> GP-2 Small Docks and Boat Launching Ramps.....	_____ (#) X	\$ 175		= \$ _____
<input type="checkbox"/> GP-3 Bank Rehabilitation, Bank Protection and Gravel Bar Removal .....	_____ (#) X	\$ 250		= \$ _____
<input type="checkbox"/> GP-4 Intake and Outfall Structures .....	_____ (#) X	\$ 200		= \$ _____
<input type="checkbox"/> GP-5 Utility Line Stream Crossings <sup>2</sup> .....	_____ (#) X _____ (#) X	\$ 250		= \$ _____
<input type="checkbox"/> GP-6 Agricultural Crossings and Ramps .....	_____ (#) X	\$ 50		= \$ _____
<input type="checkbox"/> GP-7 Minor Road Crossings <sup>2</sup> .....	_____ (#) X	\$ 350		= \$ _____
<input type="checkbox"/> GP-8 Temporary Road Crossings <sup>2</sup> .....	_____ (#) X	\$ 175		= \$ _____
<input type="checkbox"/> GP-9 Agricultural Activities .....		\$ 50		= \$ _____
<input type="checkbox"/> GP-10 Abandoned Mine Reclamation .....		\$ 500		= \$ _____
<input type="checkbox"/> GP-11 Maintenance, Testing, Repair, Rehabilitation, or Replacement of Water Obstructions and Encroachments <sup>1</sup> .....		\$ 750	+	
<input type="checkbox"/> Temporary Disturbance (\$400/0.1ac) .....	_____ acres x \$4,000 =	\$ _____	+	
<input type="checkbox"/> Permanent Disturbance (\$800/0.1ac) .....	_____ acres x \$8,000 =	\$ _____		= \$ _____
<input type="checkbox"/> GP-15 Private Residential Construction in Wetlands <sup>1</sup> .....		\$ 750	+	
<input type="checkbox"/> Temporary Disturbance (\$400/0.1ac) .....	_____ acres x \$4,000 =	\$ _____	+	
<input type="checkbox"/> Permanent Disturbance (\$800/0.1ac) .....	_____ acres x \$8,000 =	\$ _____		= \$ _____
<b>GP(s) FEE subtotal (b)</b>				<b>\$ _____</b>

**PART ONE: SECTION A. APPLICATION FEE(S) subtotal (a+b=c)** \$ \_\_\_\_\_

## SECTION B. OTHER FEES

<input type="checkbox"/> Environmental Assessment for Waived Activities (§105.13(c)(2)(iv)) .....		\$ 500		\$ _____
<input type="checkbox"/> Amendment to Water Obstruction and Encroachment Permit				
<input type="checkbox"/> Major Amendment <sup>1</sup> .....		\$ 500	+	
<input type="checkbox"/> Temporary Disturbance .....	_____ acres x \$4,000 =	\$ _____	+	\$ _____
<input type="checkbox"/> Permanent Disturbance .....	_____ acres x \$8,000 =	\$ _____		= \$ _____
<input type="checkbox"/> Minor Amendment .....		\$ 250		\$ _____

Transfer of Water Obstruction and Encroachment Permit *does not require submission of this form;*  
see [Application for Transfer of Permit / Submerged Lands License Agreement \(3150-PM-BWEW-0016\)](#)

**PART ONE: SECTION B. OTHER FEE(S) subtotal (d)** \$ \_\_\_\_\_

**PART ONE: FEE(S) TOTAL (c+d=e)** \$ \_\_\_\_\_

**DEP USE ONLY**

FEE TOTAL: _____	Permit / Authorization Number (s): _____
Correct Amount: _____	Check #: _____
Check Amount: _____	Payable to: _____

**PART TWO: DAM SAFETY (USE ONE FEE SHEET PER DAM)**

**SECTION A. APPLICATION FEES**

**DAM PERMIT APPLICATION – NEW DAM**

- Size A     Hazard 1 \$26,500     Hazard 2 \$26,500     Hazard 3 \$25,500     Hazard 4 \$23,500    \$ \_\_\_\_\_
- Size B     Hazard 1 \$19,000     Hazard 2 \$19,000     Hazard 3 \$18,500     Hazard 4 \$17,000    \$ \_\_\_\_\_
- Size C     Hazard 1 \$10,500     Hazard 2 \$10,500     Hazard 3 \$10,000     Hazard 4 \$ 8,000    \$ \_\_\_\_\_

**STAGED CONSTRUCTION**

NO. OF STAGES BEYOND INITIAL STAGE \_\_\_\_\_ X APPLICATION FEE \_\_\_\_\_ X 0.90 (90%)    \$ \_\_\_\_\_

**DAM PERMIT APPLICATION – MODIFICATION OF DAM**

- Size A     Hazard 1 \$18,500     Hazard 2 \$18,500     Hazard 3 \$18,500     Hazard 4 \$18,000    \$ \_\_\_\_\_
- Size B     Hazard 1 \$12,000     Hazard 2 \$12,000     Hazard 3 \$12,000     Hazard 4 \$11,500    \$ \_\_\_\_\_
- Size C     Hazard 1 \$ 7,500     Hazard 2 \$ 7,500     Hazard 3 \$ 7,500     Hazard 4 \$ 7,500    \$ \_\_\_\_\_

**STAGED CONSTRUCTION**

NO. OF STAGES BEYOND INITIAL STAGE \_\_\_\_\_ X APPLICATION FEE \_\_\_\_\_ X 0.85 (85%)    \$ \_\_\_\_\_

**DAM PERMIT APPLICATION – OPERATION & MAINTANANCE OF EXISTING DAM**

- Size A     Hazard 1 \$12,500     Hazard 2 \$12,500     Hazard 3 \$12,000     Hazard 4 \$10,000    \$ \_\_\_\_\_
- Size B     Hazard 1 \$10,000     Hazard 2 \$10,000     Hazard 3 \$ 9,500     Hazard 4 \$ 8,500    \$ \_\_\_\_\_
- Size C     Hazard 1 \$ 7,000     Hazard 2 \$ 7,000     Hazard 3 \$ 6,500     Hazard 4 \$ 6,000    \$ \_\_\_\_\_

**PART TWO: SECTION A. APPLICATION FEE(S) subtotal (a)**    \$ \_\_\_\_\_

**SECTION B. OTHER FEES**

Letter of Amendment or Authorization

Major (≥\$250,000)

- Size A    \$14,700     Size B    \$ 8,700     Size C    \$ 4,400    \$ \_\_\_\_\_

Minor (<\$250,000)

- Size A    \$ 1,300     Size B    \$ 1,000     Size C    \$ 650    \$ \_\_\_\_\_

Major Dam Design Revision

- Size A    \$ 4,700     Size B    \$ 3,200     Size C    \$ 1,700    \$ \_\_\_\_\_

Environmental Assessment

Environmental Assessment for Dam Removal (§105.12(a)(16))    \$ 500    \$ \_\_\_\_\_

Non-Jurisdictional Dams    \$ 900    \$ \_\_\_\_\_

Letter of Amendment or Authorization

- Size A    \$ 1,400     Size B    \$ 1,000     Size C    \$ 900    \$ \_\_\_\_\_

Transfer of Dam Permit

No Proof of Financial Responsibility \$ 550     Proof of Financial Responsibility \$300    \$ \_\_\_\_\_

Annual Registration

- Hazard 1 \$ 1,500     Hazard 2 \$ 1,500     Hazard 3 \$ 800    \$ \_\_\_\_\_

**PART TWO: SECTION B. OTHER FEE(S) subtotal (b)**    \$ \_\_\_\_\_

**PART TWO: FEE(S) TOTAL (a+b=c)**    \$ \_\_\_\_\_

**DEP USE ONLY**

FEE TOTAL:	_____	Permit / Authorization Number (s):	_____
Correct Amount:	_____	Check #:	_____
Check amount:	_____	Payable to:	_____

**GP Fee Explanation (#):**

GP #	Description	Fee	Fee Explanation (#)
GP-1	Fish Habitat Enhancement Structures	\$ 50	Fee is assessed per project not per individual structure.
GP-2	Small Docks and Boat Launching Ramps	\$175	Fee is assessed per individual dock or boat ramp. The fee is the <b>number of docks and ramps</b> totaled times the fee.
GP-3	Bank Rehabilitation, Bank Protection and Gravel Bar Removal	\$250	Fee is assessed per project and not individual bank or gravel bar removal locations. Only one single and complete project along a continuous stream reach not exceeding 500 feet measured down centerline of stream. Additional projects or areas must be separately registered and the fee would apply to each registration.
GP-4	Intake and Outfall Structures	\$200	Fee is assessed per individual intake or outfall structure. The fee is the total <b>number of structures</b> times the fee.
GP-5 <sup>2</sup>	Utility Line Stream Crossings <sup>2</sup>	\$250	Fee is assessed per individual utility line or conduit crossing (a wetland and stream crossing may be separate crossings even if adjacent). The fee is the total <b>number of utility lines</b> times the <b>number of resource crossings</b> times the fee.
GP-6	Agricultural Crossings and Ramps	\$ 50	Fee is assessed per individual crossing or ramp structure. The fee is the total <b>number of crossings and ramps</b> times the fee.
GP-7 <sup>2</sup>	Minor Road Crossings <sup>2</sup>	\$350	Fee is assessed per individual minor road crossing (a wetland and stream crossing may be separate crossings even if adjacent). The fee is the total <b>number of road crossings</b> times the fee.
GP-8 <sup>2</sup>	Temporary Road Crossings <sup>2</sup>	\$175	Fee is assessed per individual temporary road crossing (a wetland and stream crossing may be separate crossings even if adjacent). The fee is the total <b>number of temporary road crossings</b> times the fee.
GP-9	Agricultural Activities	\$ 50	Fee is assessed per project not per individual structure or activity. Multiple projects can be registered under a single registration and as such the fee is applied to each project and then totaled.
GP-10	Abandoned Mine Reclamation	\$500	Fee is assessed per project not per individual activity. Multiple projects can be registered under a single registration and as such the fee is applied to each project and then totaled.
GP-11 <sup>1</sup>	Maintenance, Testing, Repair, Rehabilitation, or Replacement of Water Obstructions and Encroachments <sup>1</sup>	\$750	Fee is assessed for each registration package (can include multiple activities or structures) <b>and is added to the permanent and temporary disturbance review fees</b> calculated for each registration package respectively.
GP-15 <sup>1</sup>	Private Residential Construction in Wetlands <sup>1</sup>	\$750	Fee is assessed for each registration package (can include multiple activities or structures) <b>and is added to the permanent and temporary disturbance review fees</b> calculated for each registration package respectively.

**Water Obstruction and Encroachment Examples:**

1. **GP-7 Minor Road Crossing:** Minor road crossing of a stream that qualifies for BDWM GP-07.

**GENERAL PERMIT(S)** (select activity/structure(s) below)

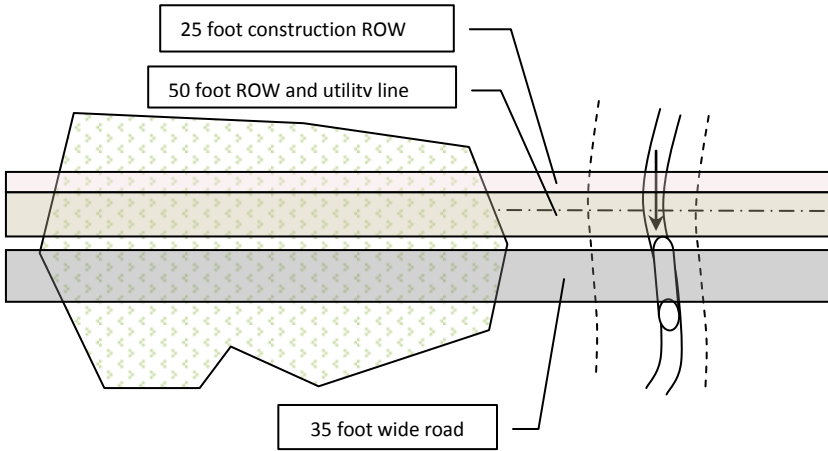
Some activities or structures within a project requiring an Individual Water Obstruction and Encroachment Permit may qualify for an accumulation of General Permit fees, please mark the corresponding fee(s) below but not the box above indicating a General Permit.

GP-7 Minor Road Crossings..... 1 (#) x \$ 350 = \$ 350  
**GP(s) FEE subtotal (b) \$ 350**

2. **Joint Permit Application for Individual Water Obstruction Encroachment Permit:** The project proposes to construct an access road requiring the placement of fill in 0.27 acres of wetlands as part of a residential subdivision.

Administrative Filing Fee ..... \$ 1,750 +  
 Temporary Disturbance (\$400/0.1ac)..... 0.0 acres x \$4,000 = \$ 0 +  
 Permanent Disturbance (\$800/0.1ac)..... 0.3 acres x \$8,000 = \$ 2,400 = \$ 4,150  
**WO&E FEE subtotal (a) \$ 4,150**

**3. Joint Permit Application for Individual Water Obstruction Encroachment Permit:** The project proposes to construct an access road and utility line through a wetland and stream. The road will require placement of fill in 0.28 acres of wetlands, placement of a 45 foot long x 36 inch CMP in the stream and placement of fill in the floodway for road approaches to the culvert (east approach 35 feet wide x 4 feet deep x 50 feet long and west approach 35 feet wide x 2 feet deep x 15 feet). The utility line is 30 inch diameter steel pipe carrying petroleum products. The utility line will be open trenched through the wetland with a permanent right of way of 50 feet x 350 feet and an additional construction right of way 25 feet x 350 feet. The utility line will be open trenched traversing through the entire floodway and stream with a permanent right of way totaling 50 feet x 68 feet (east floodway 50 feet x 50 feet, stream 50 feet x 3 feet and west floodway 50 feet x 15 feet) and an additional construction right of way 25 feet x 68 feet.



**Impact Calculations and Summary**

Resource/Impact Type	Permanent	Temporary
<b>Wetland</b>		
Road	0.28	0
Utility Const. ROW	0	0.2
Utility Perm. ROW	0.4	0
<b>Floodway/Stream</b>		
Road	0.05	0
Utility Const. ROW	0	0.04
Utility Perm. ROW	0.08	0
<b>Totals:</b>	<b>0.81</b>	<b>0.24</b>
<b>Rounded Totals:</b>	<b>0.9</b>	<b>0.3</b>

<input checked="" type="checkbox"/> Administrative Filing Fee .....	\$ 1,750	+	
<input checked="" type="checkbox"/> Temporary Disturbance (\$400/0.1ac).....	<u>0.3</u> acres x \$4,000 =	\$ <u>1,200</u>	+
<input checked="" type="checkbox"/> Permanent Disturbance (\$800/0.1ac).....	<u>0.9</u> acres x \$8,000 =	\$ <u>7,200</u>	= \$ <u>10,150</u>
<b>WO&amp;E FEE subtotal (a)</b>			<b>\$ <u>10,150</u></b>

**4. Joint Permit Application for Individual Water Obstruction Encroachment Permit:** The project proposes to construct a building, two minor road crossings that qualify for BDWM GP-07 and place three separate utility lines through a wetland and a separate stream that qualify for BDWM GP-05. The building will require placement of fill in 0.17 acres of wetlands.

<input checked="" type="checkbox"/> Administrative Filing Fee .....	\$ 1,750	+	
<input type="checkbox"/> Temporary Disturbance (\$400/0.1ac).....	<u>0.0</u> acres x \$4,000 =	\$ <u>0</u>	+
<input checked="" type="checkbox"/> Permanent Disturbance (\$800/0.1ac).....	<u>0.2</u> acres x \$8,000 =	\$ <u>1,600</u>	= \$ <u>3,350</u>
<b>WO&amp;E FEE subtotal (a)</b>			<b>\$ <u>3,350</u></b>

**GENERAL PERMIT(S)** (select activity/structure(s) below)

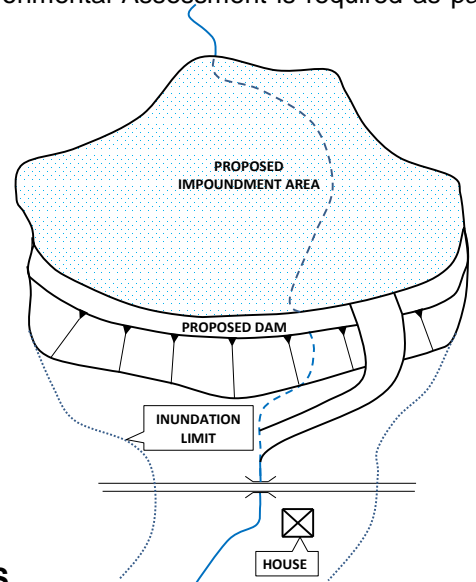
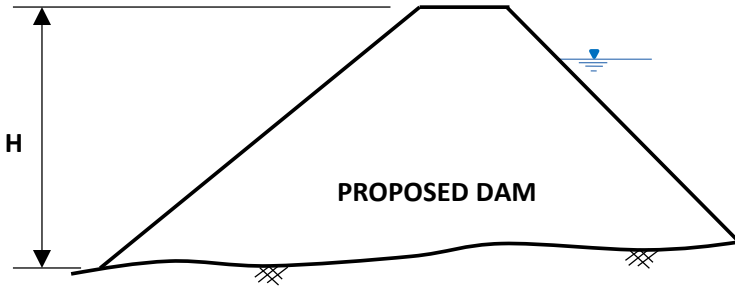
Some activities or structures within a project requiring an Individual Water Obstruction and Encroachment Permit may qualify for an accumulation of General Permit fees, please mark the corresponding fee(s) below but not the box above indicating a General Permit.

<input checked="" type="checkbox"/> GP-5 Utility Line Stream Crossings.....	<u>6</u> (#) x	\$ 250	= \$ <u>1,500</u>
<input checked="" type="checkbox"/> GP-7 Minor Road Crossings.....	<u>2</u> (#) x	\$ 350	= \$ <u>700</u>
<b>GP(s) FEE subtotal (b)</b>			<b>\$ <u>2,200</u></b>

**PART ONE: SECTION A. APPLICATION FEE(S) subtotal (a+b=c) \$ 5,550**

**Dam Safety Examples:**

**5. New Dam Permit Application:** This project proposes to construct a 25-foot high dam that has a maximum storage of 500 acre-feet of water. This dam would be classified as a size category “C” dam per §105.91. There is one home and one roadway within the inundation area downstream of the dam. This dam would have a hazard classification of “2”. All stream and wetland impacts are covered under the Dam Permit Application. An Environmental Assessment is required as part of the Dam Permit Application, but a separate fee is not required.

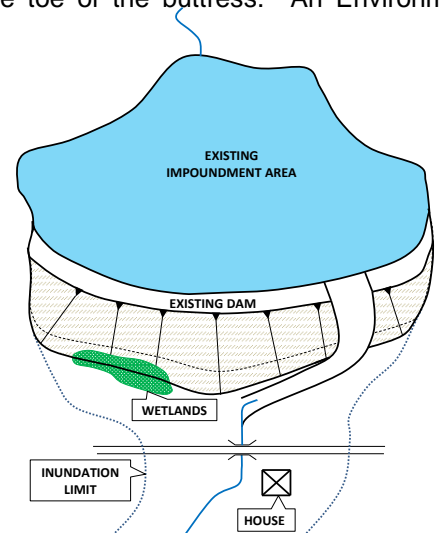
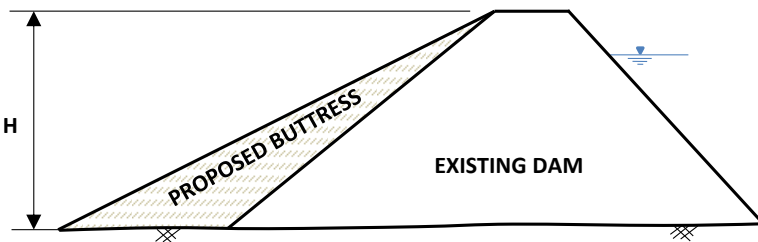


**DAM SAFETY APPLICATION FEES  
(TO BE FILED WITH DAM SAFETY WITH THE DAM PERMIT APPLICATION)**

**DAM PERMIT APPLICATION – NEW DAM**

<input checked="" type="checkbox"/> Size C	<input type="checkbox"/> Hazard 1 \$10,500	<input checked="" type="checkbox"/> Hazard 2 \$10,500	<input type="checkbox"/> Hazard 3 \$10,000	<input type="checkbox"/> Hazard 4 \$8,000	<u>\$ 10,500</u>
<b>DAM SAFETY FEE total</b>					<b>\$ 10,050</b>

**6. Letter of Authorization with Environmental Assessment:** This project proposes to modify a 25-foot high dam that has a maximum storage of 500 acre-feet of water. This dam would be classified as a size category “C” dam per §105.91. The proposed modification involves buttressing the downstream slope of the dam with soil to improve the stability. The total project cost will be \$100,000. A small wetland area will be impacted near the toe of the buttress. An Environmental Assessment will be required to assess the impacts to the wetland.

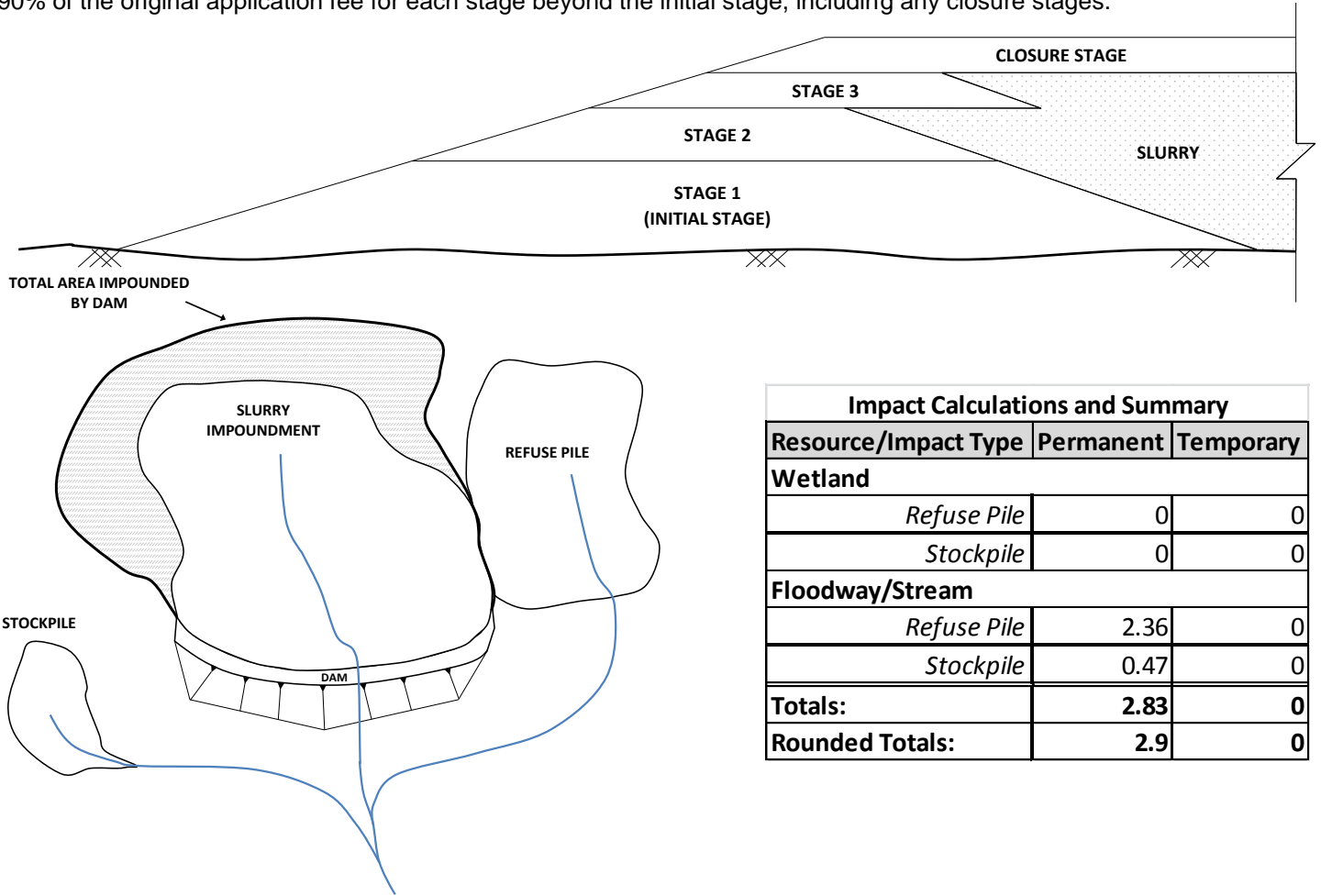


**DAM SAFETY FEES**

<input checked="" type="checkbox"/> Letter of Amendment or Authorization	
<input checked="" type="checkbox"/> Minor (<\$250,000)	
<input type="checkbox"/> Size A \$ 1,300	<input type="checkbox"/> Size B \$ 1,000
<input checked="" type="checkbox"/> Environmental Assessment	
<input checked="" type="checkbox"/> Letter of Amendment or Authorization	
<input type="checkbox"/> Size A \$ 1,400	<input type="checkbox"/> Size B \$ 1,000

<input checked="" type="checkbox"/> Size C	\$ 650	<u>\$ 650</u>
<input checked="" type="checkbox"/> Size C	\$ 900	<u>\$ 900</u>
<b>DAM SAFETY FEE total</b>		<b>\$ 1,550</b>

**7. New Dam Permit Application with Staged Construction and Disturbance Review Fees:** The project proposes to construct a staged construction, high hazard dam, to be utilized for containing a slurry impoundment. There will also be a refuse pile constructed adjacent to the slurry impoundment impacting 1000 linear feet of stream, causing a permanent disturbance to the 3-foot wide stream and 50 feet of floodway on either side of the stream [1000 x (50+3+50)]. A refuse stockpile will also impact 200 linear feet of stream, causing a permanent disturbance to the 3-foot wide stream and 50 feet of floodway on either side of the stream [200 x (50+3+50)]. The Dam Safety Application Fee will include the application fee for the applicable size and hazard classification of the dam. The Dam Safety Application Fee will also include a fee equal to 90% of the original application fee for each stage beyond the initial stage, including any closure stages.



Impact Calculations and Summary		
Resource/Impact Type	Permanent	Temporary
<b>Wetland</b>		
<i>Refuse Pile</i>	0	0
<i>Stockpile</i>	0	0
<b>Floodway/Stream</b>		
<i>Refuse Pile</i>	2.36	0
<i>Stockpile</i>	0.47	0
<b>Totals:</b>	<b>2.83</b>	<b>0</b>
<b>Rounded Totals:</b>	<b>2.9</b>	<b>0</b>

**WATER OBSTRUCTION AND ENCROACHMENT FEES**

(TO BE FILED WITH DEP REGIONAL OFFICE, COUNTY CONSERVATION OFFICE, OR DISTRICT MINING)

<input checked="" type="checkbox"/> Administrative Filing Fee		\$1,750
<input type="checkbox"/> Temporary Disturbance (\$400/0.1ac)	0.0 acres x \$4,000 =	
<input checked="" type="checkbox"/> Permanent Disturbance (\$800/0.1ac)	2.9 acres x \$8,000 =	\$23,200
<b>WO&amp;E FEE total</b>		<b>\$24,950</b>

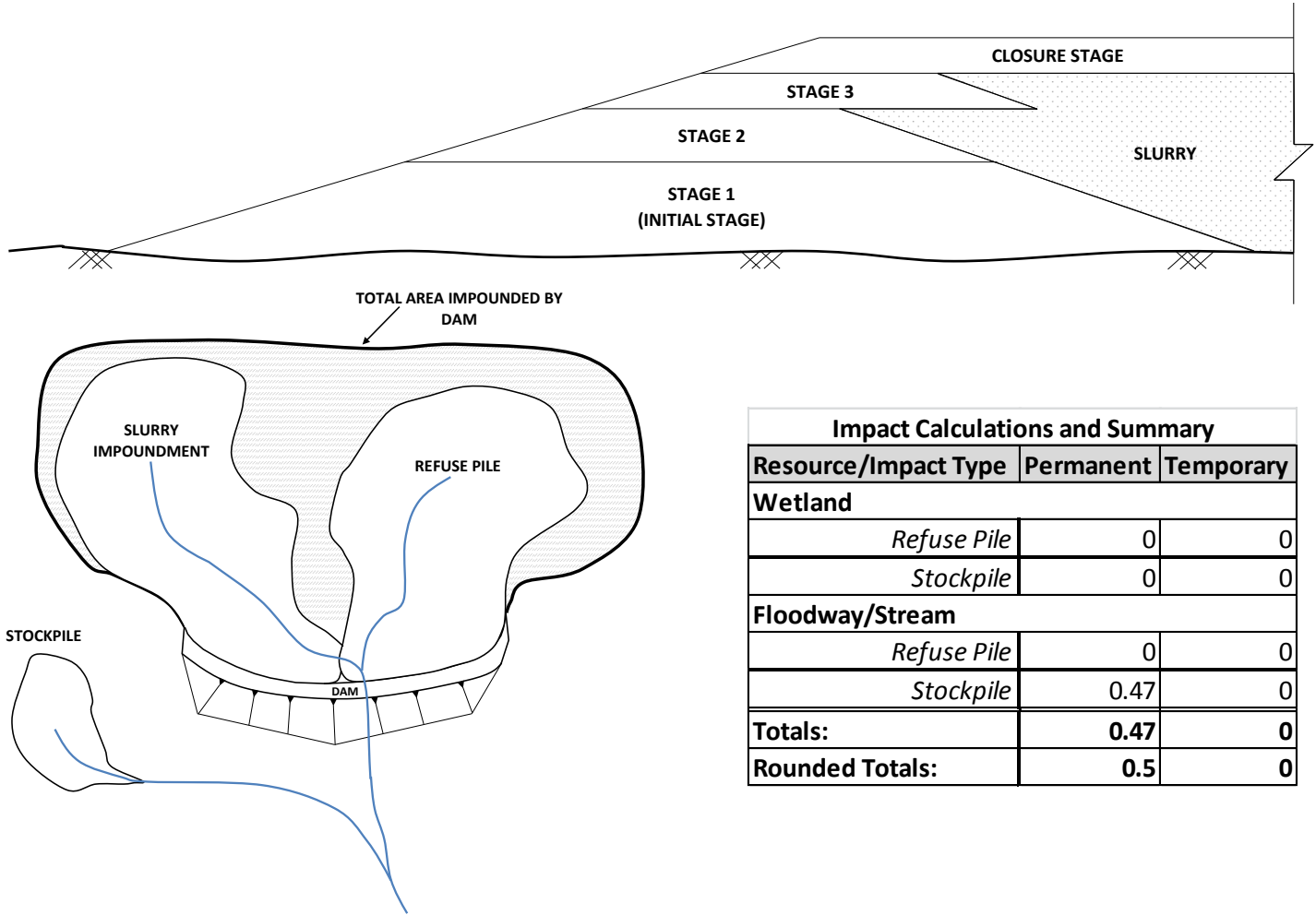
**DAM SAFETY APPLICATION FEES**

(TO BE FILED WITH DAM SAFETY WITH THE DAM PERMIT APPLICATION)

<input checked="" type="checkbox"/> <b>DAM PERMIT APPLICATION – NEW DAM</b>		
<input checked="" type="checkbox"/> Size A	<input checked="" type="checkbox"/> Hazard 1 \$26,500	<input type="checkbox"/> Hazard 2 \$26,500
<input type="checkbox"/> Hazard 3 \$25,500	<input type="checkbox"/> Hazard 4 \$23,500	\$ 26,500
<input checked="" type="checkbox"/> <b>STAGED CONSTRUCTION</b>		
No. OF STAGES BEYOND INITIAL STAGE <u>3</u> X APPLICATION FEE \$26,500 X 0.90 (90%)		\$ 71,550
<b>DAM SAFETY FEE total</b>		<b>\$ 98,050</b>



**8. New Dam Permit Application with Staged Construction:** The project proposes to construct a staged construction, high hazard dam, to be utilized for containing a slurry impoundment and refuse pile. A refuse stockpile will also impact 200 linear feet of stream, causing a permanent disturbance to the 3-foot wide stream and 50 feet of floodway on either side of the stream [200 x (50+3+50)]. The Dam Safety Application Fee will include the application fee for the applicable size and hazard classification of the dam. The Dam Safety Application Fee will also include a fee equal to 90% of the original application fee for each stage beyond the initial stage, including any closure stages.



Impact Calculations and Summary		
Resource/Impact Type	Permanent	Temporary
<b>Wetland</b>		
Refuse Pile	0	0
Stockpile	0	0
<b>Floodway/Stream</b>		
Refuse Pile	0	0
Stockpile	0.47	0
<b>Totals:</b>	<b>0.47</b>	<b>0</b>
<b>Rounded Totals:</b>	<b>0.5</b>	<b>0</b>

**WATER OBSTRUCTION AND ENCROACHMENT FEES**

(TO BE FILED WITH DEP REGIONAL OFFICE, COUNTY CONSERVATION OFFICE, OR DISTRICT MINING)

<input checked="" type="checkbox"/> Administrative Filing Fee		\$1,750
<input type="checkbox"/> Temporary Disturbance (\$400/0.1ac)	0.0 acres x \$4,000 =	
<input checked="" type="checkbox"/> Permanent Disturbance (\$800/0.1ac)	0.5 acres x \$8,000 =	\$4,000
<b>WO&amp;E FEE total</b>		<b>\$5,750</b>

**DAM SAFETY APPLICATION FEES**

(TO BE FILED WITH DAM SAFETY WITH THE DAM PERMIT APPLICATION)

<input checked="" type="checkbox"/> <b>DAM PERMIT APPLICATION – NEW DAM</b>		
<input checked="" type="checkbox"/> Size A	<input checked="" type="checkbox"/> Hazard 1 \$26,500	<input type="checkbox"/> Hazard 2 \$26,500
<input type="checkbox"/> Hazard 3 \$25,500	<input type="checkbox"/> Hazard 4 \$23,500	\$ 26,500
<input checked="" type="checkbox"/> <b>STAGED CONSTRUCTION</b>		
No. OF STAGES BEYOND INITIAL STAGE <u>3</u> X APPLICATION FEE \$26,500 X 0.90 (90%)		\$ 71,550
<b>DAM SAFETY FEE total</b>		<b>\$ 98,050</b>





## INSTRUCTIONS FOR COMPLETING THE PASPGP-5 REPORTING CRITERIA CHECKLIST

Follow the instructions below (pages 1-6) to complete the PASPGP-5 Reporting Criteria Checklist (pages 1-4) questionnaire. The questionnaire must be completed and provided as part of all DEP Chapter 105 applications / registrations to determine the appropriate federal Pennsylvania State Programmatic General Permit-5 (PASPGP-5) review procedure.

**Incomplete submissions, including lack of certification signature, will be returned. Only the completed form (pages 1-4 need to be provided as part of the DEP Chapter 105 application / registration; do not submit the instructions.**

**NOTE: Many of the questions relate to work associated with a “Single and Complete Project”. See PASPGP-5 Part II for definition of “Single and Complete Project” prior to answering questions.**

### SECTION A: ELIGIBILITY DETERMINATION

#### Question 1:

Answer YES if the proposed work associated with the Single and Complete Project individually or cumulatively impacts more than 1.0 acre of waters and/or wetlands, or results in the loss of greater than 1,000 linear feet of stream channel(s). The 1.0 acre area measurement includes all attendant features, both temporary and permanent, that are part of the Single and Complete Project, and the calculation is the sum total of all impacts to waters (streams, rivers, and other watercourses) and/or wetlands.

#### Question 2:

Answer YES if any of the proposed work is located waterward of the ordinary high water mark (OHWM) and/or the mean high water line (MHWL) of the following ineligible waterbodies within Pennsylvania:

- a. The Delaware River, downstream of the U.S. Route 202 Bridge at New Hope, Pennsylvania;
- b. The Schuylkill River downstream of the Fairmount Dam in Philadelphia, Pennsylvania;
- c. All of the Ohio River;
- d. All of the Beaver River;
- e. All of the Little Beaver Creek;
- f. All of the Mahoning River;
- g. All of the Monongahela River;
- h. The Youghiogheny River from its mouth at McKeesport, Pennsylvania to river mile 31.2 at West Newton, Pennsylvania;
- i. The Allegheny River, from its mouth in Pittsburgh, Pennsylvania to river mile 197.4 at Kinzua Dam, north of Warren, Pennsylvania;
- j. The Kiskiminetas River from its mouth near Freeport, Pennsylvania to river mile 26.8 at Saltsburg, Pennsylvania;
- k. Tenmile Creek from its mouth at Millsboro, Pennsylvania to river mile 2.7; and
- l. Lake Erie activities which require submittal of a DEP Chapter 105 Joint Permit Application or Environmental Assessment to the DEP. For Lake Erie, the OHWM is located at elevation 573.4.

#### Question 3:

Answer YES if any portion of the proposed work has been denied a DEP Chapter 105 Permit, a State Water Quality Certification as required under Section 401 of the Clean Water Act, or a Coastal Zone Consistency Determination.

#### Question 4:

Answer YES if the proposed work will result in the diversion of more than 10,000 gallons per day of surface water or groundwater into or out of the Great Lakes Basin (Lake Erie Watershed).

\*\*\*\*\*

**SECTION B: REPORTING ACTIVITY DETERMINATION**

**Question 1:**

Answer YES if the proposed work associated with the Single and Complete Project, including any attendant features, permanently or temporarily impacts greater than 0.5 acre of waters of the United States, including jurisdictional wetlands.

**Questions 2a – 2d:**

Answer YES for **2a** if your proposed Single and Complete Project permanently impacts greater than 250 linear feet of streams, rivers, or other watercourses (excluding wetlands).

If YES for 2a, answer YES for **2b** if the work associated with the Single and Complete Project for stream bank stabilization, rehabilitation, protection and/or enhancement propose impacts of greater than 500 linear feet for stream channel(s).

If YES for 2a, answer YES for **2c** if the Single and Complete Project qualifies for a DEP GP-1 for Fish and Enhancement Structures.

If YES for 2a, answer YES for **2d** if your project is covered by a programmatic state water quality certification issued by DEP that is conditioned upon receiving approval by the Environmental Review Committee.

*See PASPGP-5 Non-reporting Activity 20b for further information.*

**Question 3:**

Answer YES if more than 0.10 acre of shrub-scrub or forested wetland will be permanently converted to emergent wetland.

**Question 4:**

Answer YES if the utility line impacts for the Single and Complete Project exceed 500 linear feet.

**Question 5:**

Answer YES if the utility line runs parallel to a stream bed that is within a wetland/stream/waterbody complex.

*If the application/registration does not include a utility line, answer NO.*

**Question 6:**

Answer YES if your application/registration is associated with a Single and Complete Project whereby a previous Department of the Army authorization has been issued through an Individual Permit, a Nationwide Permit, or a PASPGP processed by the Army Corps of Engineers (Corps) as a Category III/Reporting Activity. Also enter data associated with the prior authorizations into table, including the type of authorization or permit, permit or authorization number(s), date(s) of issuance, and permitted impacts (including square feet or linear feet). Types of authorizations or permits may be abbreviated as Corps Nationwide Permit (NWP), Corps Individual Permit (IP), or Corps PASPGP (SPGP).

**Questions 7a and 7b:**

Answer YES to **7a** if your project is proposed in one of the following waterways occupied by Federally listed, proposed, or candidate mussels or fish, or in waters of the United States within 300 feet of these listed waterways.

<b>WATERWAYS</b>	<b>COUNTY</b>
Allegheny River (from Kinzua Dam to the Ohio River)	Armstrong, Clarion, Forest, Venango, Warren,
Conewango Creek	Warren
French Creek	Crawford, Erie, Mercer, Venango
Conneaut Outlet	Crawford
Conneauttee Creek	Crawford
LeBoeuf Creek	Erie
Muddy Creek	Crawford
Shenango River (Pymatuning Reservoir to Big Bend)	Crawford and Mercer
Delaware River	Monroe, Pike, Wayne
Cussewago Creek	Crawford
Little Mahoning Creek	Indiana
Little Shenango River	Mercer
Oil Creek	Venango
West Branch of French Creek	Erie
Woodcock Creek	Crawford

**Questions 7a and 7b (cont):**

If YES for 7a, answer YES to 7b if you have received documented clearance from the USFWS, or a “No Effects” determination from the Corps pursuant to Section 7 of the Endangered Species Act dated May 4, 2015 or later. Documented clearance from the USFWS could include PNDI language stating “NO KNOWN IMPACT”; or, if in a USFWS letter the language must indicate “no effect” or “the project or activity will not affect Federally listed species.”

**Questions 8a and 8b:**

Answer YES to 8a if the proposed work will impact Federally regulated wetlands in one of the below listed counties. Counties: Adams, Berks, Bucks, Carbon (only Aquashicola Creek Watershed), Chester, Cumberland, Delaware, Dauphin (only Swatara Creek Watershed), Franklin (only Antietam Creek Watershed) Lancaster, Lebanon, Lehigh, Monroe, Montgomery, Northampton, Schuylkill (only Swatara Creek Watershed), and York.

If YES for 8a, answer YES for 8b if you have received documented clearance from the USFWS, or a “No Effects” determination from the Corps pursuant to Section 7 of the Endangered Species Act dated May 4, 2015 or later. Documented clearance from the USFWS could include PNDI language stating “NO KNOWN IMPACT”; or, if in a USFWS letter the language must indicate “no effect” or “the project or activity will not affect Federally listed species.”

**Questions 9a and 9b:**

Answer YES for 9a if your completed PNDI search identifies a potential conflict(s) for a Federally listed species.

If YES for 9a, answer YES for 9b if you have received additional documented clearance from the USFWS, a “No Effect” determination from the Corps, or agree through signing the PNDI receipt to comply with the avoidance measures associated with Federally listed species in completing the proposed work.

**Question 10:**

Answer YES if the proposed work is associated with maintenance dredging of a reservoir to maintain the designed storage capacity, including the removal of accumulated sediments, and the work is authorized pursuant to Section 7 of the Dam Safety and Encroachments Act, 32 P.S. § 693.1, et seq., and the rules and regulations promulgated there under in the PA Bulletin (codified at 25 PA. Code, Chapter 105, § 105.131 (c)).

*For work associated with maintenance of a pond that qualifies for DEP Chapter 105 Waiver 14, enter NO.*

**Questions 11a – 11c:**

Answer YES for 11a if the DEP Chapter 105 application/registration required you to submit a Cultural Resources Notification Form to the Pennsylvania Historic and Museum Commission (PHMC), and you have included the response letter from the State Historic Preservation Office (SHPO), i.e. PHMC.

*Cultural Resources Notification Form is not required for DEP Chapter 105 General Permits (GP). If registering use of a GP, answer YES.*

If YES for 11a, answer YES for 11b if the SHPO, i.e., PHMC has determined that archaeological or other cultural resources are believed to exist within the permit area, or has recommended that a Phase 1 archeological survey be performed.

*If PHMC has determined that archaeological or other cultural resources are believed NOT to exist within the permit area, answer NO.*

If YES for 11b, answer YES for 11c if you have received documented clearance from PHMC or a No Potential to Effect determination from the Corps. Documented clearance from the PHMC could include: a letter stating “No Effect on Historic Properties”; a letter stating that “Historic Properties (historic and archeological) are not present or are unlikely to occur within the project area”; or a letter stating that no sites that are listed or eligible for listing in the National Register will be effected. **If YES, provide copy of such document(s) in application / registration.**

**Questions 12a and 12b:**

Answer Yes for 12a if the proposed work occurs in a component of the National Wild and Scenic River System or in a river officially designated by Congress as a “Study River” for possible inclusion in the System (See below for listing of waters).

1. Allegheny River, from the Kinzua Dam Mile 197.2, downstream approximately 7 miles to the US Route 6 Bridge, at mile 190.7, in Warren, then from the Buckaloons Recreation Area in Allegheny National Forest at mile 181.7 downstream 47 miles to Alcorn Island just north of Oil City at river mile 133.7, and then continuing from the Franklin Wastewater Treatment Plant at mile 122.7, downstream 31 miles to the refinery at Emlenton mile 90.7;

**Questions 12a and 12b (cont):**

2. Clarion River from mile 91.1 in the Borough of Ridgeway, Elk County, Pennsylvania, at the National Forest and Gamelands Boundary to mile 39.4 at the normal pool elevation of Piney Dam;
3. Upper Delaware Scenic and Recreational River, including the ¼ mile buffer from each bank, beginning at Hancock, New York, and continuing 73.4 river miles to Mill Rift, Pennsylvania;
4. Middle Delaware Scenic and Recreational River (from bank to bank) as it flows through the Delaware Water Gap National Recreation Area;
5. Lower Delaware River beginning 7 river miles north of Belvidere, New Jersey, continuing to Washington Crossing, Pennsylvania, including Paunacussing Creek within Solebury Township, all of the Tinicum Creek including Rapp Creek and Beaver Creek Tributaries, and Tohickon Creek from the mouth to the Lake Nockamixon Dam, including a ¼ mile buffer from each bank; and
6. White Clay Creek watershed including all of its tributaries.

If YES for 12a, answer YES for **12b** if you received a written determination from the Federal agency with direct management responsibility for such river that the proposed activity will not adversely affect any Wild and Scenic River including study rivers. **If YES, provide copy of such document(s) in application / registration.**

**Question 13:**

Answer YES if the proposed project requires the preparation of an Environmental Impact Statement (EIS).

**Question 14:**

Answer YES if the proposed regulated activity or area of indirect impact (secondary impact) extends across state boundaries (i.e., the work is not wholly located within the Commonwealth of Pennsylvania).

**Question 15:**

Answer YES if you are proposing activities authorized pursuant to DEP Chapter 105 permits in conjunction with coal and non-coal mining permits issued by the DEP District Mining Offices (Bureau of Mining and Reclamation), including activities authorized pursuant to Chapter 105 Waiver 4 [25 Pa. Code §105.12(a)(4)] and GP-101 and GP-102.

**Question 16:**

Answer YES if the proposed work is associated with the construction of a Mitigation Bank or In Lieu Fee site, developed to meet the requirements of the Corps and EPA April 10, 2008 Compensatory Mitigation for Losses of Aquatic Resources: Final Rule.

**Question 17:**

Answer YES if the proposed work will alter, use, build upon, attempt to possess, or potentially harm or impair any existing or proposed Corps of Engineers Civil Works project, or any Corps of Engineers owned or managed property. Additional information on the location of Corps Civil Works projects and property may be obtained by checking with the appropriate Corps District.

**Questions 18a – 18c:**

Answer YES for **18a** if the proposed project is part of or involves the construction or expansion of a residential, commercial or institutional subdivision or development.

If YES for 18a, answer YES for **18b** if greater than 0.25 acre of wetlands exist within the property boundary that are not being directly impacted as part of this application/registration. **If YES, provide total remaining wetland acreage.**

If YES for 18a, and 18b, answer YES for **18c** if you proposing to protect the wetland area(s) through a deed restriction or conservation easement that follows the Corps' Model Protective Covenants. **If YES, attach a copy of the proposed deed restriction or conservation easement to this form and submit with your application / registration form.**

**Question 19:**

Answer YES if temporary impacts associated with a Single and Complete Project will be in place greater than 1 year. *Also, answer YES if you are requesting an extension of an existing DEP Chapter 105 GP-8 or GP-11 acknowledgement that will result in the temporary impacts now exceeding one year.*

**Question 20:**

Answer YES if you have any pending applications/registrations with DEP or the Corps that are necessary for your total proposed project to function and meet its intended purpose. **If YES, provide the following information:**

- Application/registration Number / Type: The application/registration number given by DEP, if known. If unknown, the application/registration type, enter DEP General Permit, Joint Permit Application, Dam Permit, Environmental Assessment, etc.

**Question 20 (cont):**

- Project Name: The name the project is commonly referred to
- Date of Submittal: The date the application/registration was submitted to DEP
- DEP Reviewing Office: Name of DEP Regional Office, or County Conservation District reviewing application/registration.
- Corps Reviewing Office: If application/registration is being reviewed by the Corps, enter Baltimore, Pittsburgh or Philadelphia District.

**Question 21:**

Answer YES if you are proposing to do work in the Delaware River (upstream from the U.S. Route 202 Bridge in New Hope, Pennsylvania.) and/or the Lehigh River (from the mouth to FE Walter Dam, located in Carbon and Luzerne County, Pennsylvania between March 15 and June 30.

**Questions 22a and 22b:**

Answer YES for **22a** if you are proposing work in the below listed waters.

<b>Waterway</b>	<b>Action Area</b> (From Point Specified to the Confluence with the Delaware River)	<b>Latitude</b>	<b>Longitude</b>
Marcus Hook Creek	US Route 13 Bridge	39.822054	-75.409873
Stoney Creek	US Route 13 Bridge	39.828408	-75.400953
Chester Creek	Kerlin Street Bridge	39.855846	-75.37641
Ridley Creek	McDade Boulevard	39.869522	-75.356692
Crum Creek	US Route 13 Bridge	39.866799	-75.340677
Darby Creek	Pine Street Bridge	39.914006	-75.259994
Frankford Creek	Frankford Avenue/US 13 Bridge	40.005314	-75.070173
Frankford Creek (Original Mouth)	End of Channel	40.004912	-75.070173
Pennypack Creek	Route 13 Bridge	40.043421	-75.020638
Poquessing Creek	Mill Road bridge	40.043421	-75.982076
Neshaminy Creek	Rapids just below Hulmeville Road Bridge (SR 513), Bucks County	40.141393	-74.911899
Unnamed Tributary 1, located in Croydon, PA	River Road crossing	40.085774	-74.8856
Otter/Mill Creek	US 13 (Bristol Pike) Bridge	40.100424	-74.866976
Unnamed Tributary 2, located in Bristol, PA	Wood Street Bridge	40.102044	-74.845682
Martins Creek	Main Street (Tulleytown)	40.141975	-74.812026
Scott's Creek	End of creek	40.12921	-74.793879
Scott's Creek Relocated Channel, located at Money Island, Bucks County, PA	First culvert crossing	40.125578	-74.776886
<b>Non-Tidal Tributaries</b>			
Buck Creek	Delaware Canal	40.243699	-74.838279
Dyers Creek	Delaware Canal	40.267098	-74.858495
Houghs Creek	Delaware Canal	40.28148	-74.865783
Jericho Creek	Delaware Canal	40.313984	-74.902899
Pidcock Creek	Delaware Canal	40.331508	-74.935788

If YES for 22a, answer YES for **22b** if you can conduct the work in compliance with the following conservation measures:

1. No work shall occur from March 15 to November 15, of any given year.
2. All Dredging shall be performed by a mechanical dredge and/or techniques (clamshell bucket etc.).
3. All work, including the installation of turbidity curtains and dewatering cofferdams, shall be performed during low tide or when the tide is waterward of the proposed work in all tidal waterbodies listed, or during periods of low or no flow in the non-tidal waterbodies listed.

**Questions 22a and 22b (cont):**

4. Blasting is not authorized by the PASPGP-5 within the listed waterbodies.
5. Pile Driving:
  - a. Piles shall not be greater than 12 inches in diameter;
  - b. Piles shall be installed using a vibratory hammer or an impact hammer provided noise attenuation devices (cushion blocks, etc.) are used, and a “soft start” is performed each day of pile driving. A “soft start” is the building up of power slowly during pile driving activities to allow for fish and other wildlife to leave the area; and
  - c. Pile driving activities shall be limited to no more than 12 hours per day.

\*\*\*\*\*

**SECTION C: CERTIFICATION**

Please sign and date in the appropriate locations. The submission will not be accepted unless the original form and copy are signed and dated by the applicant (the owner). (See [Chapter 105 Water Obstructions and Encroachment General Permit Registration \(3150-PM-BWEW0500\)](#) Section A – Applicant Information for clarification on applicant signatures)

\*\*\*\*\*

**IMPERVIOUS SURFACE DATA FOR CORPS**

**Questions 1a – 1c:**

Answer YES for **1a** if your project is located in the area covered by the Corps of Engineers Philadelphia District (Delaware River Watershed), or Chester, Lancaster, or York County. If YES, answer 1b and 1c.

If YES for 1a, answer YES for **1b** if your project proposes a permanent impervious surface(s) within the footprint of a waterbody, including wetlands, and enter the amount of impervious fill within the waterbody on the blank line following the question. Impervious surfaces are defined as a hard surface area which either prevents or retards the entry of water into the soil. Common impervious surfaces include roof tops, walkways, patios, driveways, parking lots or storage areas, concrete or asphalt paving, gravel roads, packed earthen material, and oiled surfaces. Examples of project fill components constructed as a result of permanent discharges of dredged or fill material into waters of the United States that are considered to be an impervious surface may include, but are not limited to: house pads, walkways, patios, driveways, parking lots, storage areas, concrete, asphalt paving, pre-cast concrete planks or slabs, road crossings, and concrete abutments. For bank stabilization activities, an impervious surface is only applicable to the concrete lining of waterways and grouted riprap/rock within jurisdictional waters of the United States that exist above the mean high water (MHW) line in tidal waters or above the ordinary high water mark (OHWM) in non-tidal waters.

The following list contains examples of project components that are **not** considered impervious surface cover: temporary fills/structures; fill for lawns/parks; mechanized land clearing (tilling, etc.); pavers (specifically designed to allow water infiltration, i.e. with vegetation holes); boat ramps with loose rock, stone, gravels, and metal grate panels; and bank stabilization with ungrouted riprap, rock, utilizing bio-engineering techniques (e.g. willow planting, root wads, large woody debris, etc.); rock filled gabions; and any project feature that is specifically designed to infiltrate water.

If YES for 1a, answer YES for **1c** if you will be removing any impervious surfaces as part of your project. **If YES, then enter the amount of impervious surface being permanently removed as part of project.**

### PASPGP-5 REPORTING CRITERIA CHECKLIST

The following questionnaire must be completed (instructions on pages 1-6) and submitted as part of all DEP Chapter 105 applications / registrations to determine the appropriate Federal Pennsylvania State Programmatic General Permit-5 (PASPGP-5) review procedure. **Incomplete submissions, including lack of certification signature, will be returned.**

Applicant / Project Name:

County(s):

#### SECTION A: ELIGIBILITY DETERMINATION

- YES  NO  1. Does the proposed work associated with the Single and Complete Project temporarily and/or permanently impact greater than 1.0 acre of waters and/or wetlands, and/or result in the loss of greater than 1,000 linear feet of stream channel(s)?
- YES  NO  2. Is any of the proposed work located waterward of the ordinary high water mark (OHWM) of any of the ineligible waterbodies identified in the instructions?
- YES  NO  3. Has any portion of the proposed work been denied a DEP Chapter 105 Permit, a State Water Quality Certification as required under Section 401 of the Clean Water Act, or a Coastal Zone Consistency Determination?
- YES  NO  4. Does the proposed work result in the diversion of more than 10,000 gallons per day of surface water or groundwater into or out of the Great Lakes Basin (Lake Erie Watershed)?

\*\*\*\*\*

#### SECTION B: REPORTING ACTIVITY DETERMINATION

- YES  NO  1. Does the proposed work associated with a Single and Complete Project, including any attendant features, permanently and/or temporarily impact greater than 0.5 acre of waters of the United States, including jurisdictional wetlands?
- YES  NO  2a. Does the application/registration include any proposed Single and Complete Projects permanently impacting greater than 250 linear feet of streams, rivers, or other watercourses (excluding wetlands)?
- YES  NO  2b. Is the Single and Complete Project for stream bank stabilization, rehabilitation, protection and/or enhancement and propose impacts of greater than 500 linear feet of stream channel(s)?
- YES  NO  2c. Does the Single and Complete Project qualify for DEP GP-1 for Fish and Enhancement Structures?
- YES  NO  2d. Is the project covered by a programmatic State Water Quality Certification issued by DEP - that is conditioned upon receiving approval by- the Environmental Review Committee?
- YES  NO  3. Does the application/registration include any Single and Complete Projects that propose the permanent conversion of greater than 0.10 acre of forested and/or shrub-scrub wetlands in association with a regulated activity?
- YES  NO  4. If the application/registration is for a utility line, do any of the single and complete projects in waters of the United States, including jurisdictional wetlands, exceed 500 linear feet (excluding overhead lines)?
- YES  NO  5. Is this application/registration to place a buried utility line in waters and/or wetlands in a manner that the utility line will run parallel to or along a stream bed?

**SECTION B: REPORTING ACTIVITY DETERMINATION (CONT)**

YES  NO  6. Is the application/registration associated with a Single and Complete Project whereby a previous Department of the Army authorization has been issued through an Individual Permit, a Nationwide Permit, or a PASPGP processed by the Corps as a Category III/Reporting Activity? **If YES, please complete the following table.**

Authorization Type	Authorization Number	Date (mm/dd/yyyy)	Federal Permitted Impacts	
			Wetlands	Waters

YES  NO  7a. Is the proposed project located in waterways occupied by Federally listed, proposed, or candidate mussels or fish, or in waters of the United States within 300 feet of these listed waterways? See *instructions for list of waterways.*

YES  NO  7b. If 7a is yes, have you received documented clearance from the USFWS, or a Section 7 of the Endangered Species Act (ESA) “no effect” determination from the Corps? Documented clearance from the USFWS could include PNDI language stating “NO KNOWN IMPACT”; or, if in a USFWS letter the language must indicate “no effect” or “the project or activity will not affect Federally listed species.”

YES  NO  8a. Does the project propose impacts to Federally regulated wetlands in a county that requires bog turtle screening procedures? See *instructions for list of counties.*

YES  NO  8b. If 8a is YES, have you received documented clearance from the USFWS, or a Section 7 ESA “no effects” determination from the Corps? Documented clearance from the USFWS could include PNDI language stating “NO KNOWN IMPACT”; or, if in a USFWS letter the language must indicate “no effect” or “the project or activity will not affect Federally listed species.”

YES  NO  9a. Does the completed Pennsylvania Natural Diversity Inventory (PNDI) search receipt identify a potential conflict(s) for a Federally listed species?

YES  NO  9b. If YES for 9a, have you received additional documented Section 7 ESA clearance, or do you agree, through signing of the PNDI receipt, to comply with all avoidance measures identified on the PNDI receipt associated with Federally listed species for the proposed work?

YES  NO  10. Is the proposed work associated with maintenance dredging of a reservoir’s design storage capacity, including the removal of accumulated sediments? This corresponds to activities authorized pursuant to Section 7 of the Dam Safety and Encroachments Act (DSEA), 32 P.S. § 693.1, et seq., and the rules and regulations promulgated there under in the PA Bulletin (codified at 25 PA. Code, Chapter 105, § 105.131(c)).

YES  NO  11a. If the DEP Chapter 105 application/registration requires submittal of a Cultural Resources Notification Form as part of the application/registration, have you included the response letter from the State Historic Preservation Officer (SHPO), i.e., Pennsylvania Historic and Museum Commission (PHMC) with your application/registration?

YES  NO  11b. Has the PHMC determined that archaeological or other cultural resources are believed to exist within the permit area?

YES  NO  11c. If yes for 11b, have you received follow-up documented clearance from PHMC, or a Section 106 “no effect” determination from the Corps?

YES  NO  12a. Does the proposed work occur in a component of the National Wild and Scenic River System or in a river officially designated by Congress as a “Study River” for possible inclusion in the System? See *instructions for listing.*

YES  NO  12b. If yes for 12a, have you received a written determination from the Federal agency with direct management responsibility for such river that the proposed activity will not adversely affect any Wild and Scenic River including study rivers?

YES  NO  13. Does the proposed project require the preparation of an Environmental Impact Statement?

YES  NO  14. Does the proposed regulated activity or area of indirect impact (secondary impact) extend across state boundaries (i.e., the work is not wholly located within the Commonwealth of Pennsylvania)?



**SECTION B: REPORTING ACTIVITY DETERMINATION (CONT)**

- YES  NO  15. Is the proposed work authorized pursuant to DEP Chapter 105 permits in conjunction with coal and non-coal mining permits issued by the DEP District Mining Offices (Bureau of Mining and Reclamation), including activities authorized pursuant to Chapter 105 Waiver 4 [25 Pa. Code §105.12(a)(4)] and GP-101 and GP-102]?
- YES  NO  16. Is the proposed work associated with the construction of a Mitigation Bank or In Lieu Fee site developed to meet the requirements of the Corps and EPA April 10, 2008 Compensatory Mitigation for Losses of Aquatic Resources: Final Rule?
- YES  NO  17. Will the proposed work alter, use, build upon, attempt to possess, or that may harm or impair any existing or proposed Corps Civil Works project, and any Corps-owned or managed property?
- YES  NO  18a. Does the Single and Complete Project involve the construction or expansion of a residential, commercial or institutional subdivision or development?
- YES  NO  18b. Does greater than 0.25 acre of wetland(s) exist within the property boundary that are not proposed to be directly impacted as part of this application/registration? **If YES, provide wetland acreage: \_\_\_\_\_ acres.**
- YES  NO  18c. Are you proposing to protect the wetland area(s) through a deed restriction or conservation easement that follows the Corps' Model Protective Covenant?
- YES  NO  19. Does the proposed work temporarily impact waters and/or wetlands that will remain in place for more than 1 year?
- YES  NO  20. Do you have any other pending applications/registrations with the DEP or Corps that are necessary for this total proposed project to function and meet its intended purpose? **If YES, provide following information.**

Application / Registration Number / Type	Project Name	Date of Submittal to DEP (mm/dd/yyyy)	DEP / CCD Reviewing Office	Corps Reviewing Office

- YES  NO  21. Are you proposing to do work in the Delaware River (upstream from the U.S. Route 202 Bridge in New Hope, Pennsylvania.) and/or the Lehigh River (from the mouth to Francis E. Walter Dam, located in Carbon and Luzerne County, Pennsylvania between March 15 and June 30)?
- YES  NO  22a. Does the proposed work occur in any of the waters listed in the instructions?
- YES  NO  22b. Will you comply with all of the identified conservation measures?

\*\*\*\*\*

**SECTION C: CERTIFICATION**

I certify that the information provided on this form is true and correct to the best of my knowledge and information. If any of the information and/or plans is found to be in error, falsified, and/or incomplete, your Chapter 105/PASPGP-5 authorization/verification may be subject to modification, suspension, or revocation in accordance with applicable regulations.

\_\_\_\_\_  
Signature of Applicant

\_\_\_\_\_  
Date

\_\_\_\_\_  
Name Typed or Printed

\*\*\*\*\*

**IMPERVIOUS SURFACE DATA FOR CORPS**

- YES  NO  1a. Is your project located in the Corps of Engineers Philadelphia District (Delaware River Watershed), or in Chester, Lancaster, or York County?
- YES  NO  1b. Does your project propose impervious surfaces within waters and wetlands? **If YES, provide area of impervious surface within the footprint of waters and wetlands:** \_\_\_\_\_ square feet
- YES  NO  1c. Does any part of your project propose the removal of any impervious surfaces? **If YES, provide area of impervious surface being removed:** \_\_\_\_\_ square feet

**FOR DEP USE ONLY**

\_\_\_\_\_  
DEP / District Manager Signature

\_\_\_\_\_  
Date

\_\_\_\_\_  
Name Typed or Printed

\_\_\_\_\_  
Permit Number

### How to Use the PNDI Large Project Form

**If your Project is a “Large Project”**— too large/long to search on the online system  
Projects are considered “Large Projects” when the ENTIRE project is:

- Linear/Large Projects that exceed the PNDI online project size limits of 10 miles in length or 1200 acres
- Township-wide, Countywide or Statewide Projects. Examples: Act 537 Sewage Plans, Wind Farms, Roadway Improvements exceeding map limits above.

Due to system limitations and agency requirements, projects should not be submitted piecemeal. The entire project area including roads and infrastructure should be submitted as a single unit.

### What to Send to Jurisdictional Agencies

Send the following information to all of the agencies listed on the Large Project Form.

#### Check-list of Minimum Materials to be submitted:

- Completed Large Project Form
- Supplemental project narrative with a description of the overall project, the work to be performed, current physical characteristics of the site and acreage to be impacted.
- USGS 7.5-minute Quadrangle with project boundary clearly indicated, and quad name on the map

#### The inclusion of the following information may expedite the review process.

- GIS shapefiles depicting the project extent
- A basic site plan (particularly showing the relationship of the project to the physical features such as wetlands, streams, ponds, rock outcrops, etc.)
- Color photos keyed to the basic site plan (i.e. showing on the site plan where and in what direction each photo was taken and the date of the photos)
- Information about the presence and location of wetlands in the project area, and how this was determined (e.g., by a qualified wetlands biologist), if wetlands are present in the project area, provide project plans showing the location of all project features, as well as wetlands and streams

### PNDI Large Project Form Definitions

**Applicant:** Person that owns the property or is proposing the project or activity

**Contact Person:** Person to receive response if different than applicant (e.g. Consultant)

**Project Name:** Descriptive title of project (e.g. Twin Pines Subdivision, Miller Bridge Replacement)

**Proposed Activity:** Include ALL earth disturbance activities for project (e.g. for a timber sale—include stream crossings, cutting areas and new roadway accesses). Also include Current Conditions (e.g. housing, farmland, current land cover), and how Construction/Maintenance Activity is to be accomplished

**Total Acres of Property:** Entire site acreage (e.g. timber sale property—including road access (200 acres)

**Acreage to be Impacted:** Disturbance acreage (e.g. timber sale—if the property is 200 acres, but only 100 acres will be disturbed, for example: cutting on 90 acres, a road impacting 10 acres); include all temporary and permanent activities



# Pennsylvania Natural Diversity Inventory

## LARGE PROJECT FORM

This form provides site information necessary to perform an Environmental Review for special concern species and resources listed under the Endangered Species Act of 1973, the Wild Resource Conservation Act, the Pennsylvania Fish and Boat Code or the Pennsylvania Game and Wildlife Code.

### Applicant Information

Name:  
 Address:  
 Phone Number: \_\_\_\_\_ Fax Number: \_\_\_\_\_

### Contact Person Information - if different from applicant

Name:  
 Address:  
 Phone Number: \_\_\_\_\_ Fax Number: \_\_\_\_\_  
 Email:

### Project Information

Project Name:  
 Project Reference Point (center point of project): Latitude: \_\_\_\_\_ Longitude: \_\_\_\_\_ Datum: \_\_\_\_\_  
 Municipality: \_\_\_\_\_ County: \_\_\_\_\_  
 Attach a copy of a U.S.G.S. 7 1/2 Minute Quadrangle Map with Project Boundaries clearly marked.  
 U.S.G.S. Quad Name: \_\_\_\_\_  
 Provide GIS shapefiles showing the project boundary (strongly recommended)

### Project Description

#### Proposed Project Activity (including ALL earth disturbance areas and current conditions)

Total Acres of Property: \_\_\_\_\_ Acreage to be Impacted: \_\_\_\_\_

1. Will the entire project occur in or on an existing building, parking lot, driveway, road, maintained road shoulder, street, runway, paved area, railroad bed, or maintained lawn? Yes  No
2. Are there any waterways or waterbodies (intermittent or perennial rivers, streams, creeks, tributaries, lakes or ponds) in or near the project area, or on the land parcel? If so, how many feet away is the project?  
 Yes  Feet No
3. Are wetlands located in or within 300 feet of the project area? Yes  No  If No, is this the result of a wetland delineation?
4. How many acres of tree removal, tree cutting or forest clearing will be necessary to implement all aspects of this project?

**Dept. of Conservation and Natural Resources**

Bureau of Forestry, Ecological Services Section  
 400 Market St., PO Box 8552  
 Harrisburg, PA 17105  
 fax: 717-772-0271

**PA Game Commission**

Bureau of Wildlife Habitat Management  
 Division of Environmental Planning & Habitat Protection  
 2001 Elmerton Avenue  
 Harrisburg, PA 17110-9797

**PA Fish and Boat Commission**

Natural Diversity Section  
 450 Robinson Lane  
 Bellefonte, PA 16823

**US Fish and Wildlife Service**

Endangered Species Biologist  
 315 South Allen St., Suite 322  
 State College, PA 16801  
 no faxes please



COMMONWEALTH OF PENNSYLVANIA  
DEPARTMENT OF ENVIRONMENTAL PROTECTION  
BUREAU OF WATERWAYS ENGINEERING AND WETLANDS

## Request for a Bog Turtle Habitat Evaluation (Phase 1 Survey)

**Federal/State Screening Process for Bog Turtles (*Glyptemys muhlenbergii*) and/or their habitat in Adams, Berks, Bucks, Carbon (Aquashicola Creek Watershed only), Chester, Cumberland, Dauphin (Swatara Creek Watershed only), Delaware, Franklin (Antietam Creek Watershed), Lancaster, Lebanon, Lehigh, Monroe, Montgomery, Northampton, Schuylkill (Swatara Creek Watershed only), and York Counties.**

If you are proposing work in wetlands in the counties listed above and have not completed the Endangered Species coordination process with the U.S. Fish and Wildlife (USFWS), you may complete this form and necessary accompanying information and submit to the points of contact listed below to have the required Phase 1 Survey completed; or have an environmental consultant complete the Phase I survey field work and documentation and submit to the USFWS for review and approval. To expedite the review process, applicants may have the Phase I survey completed by a qualified bog turtle surveyor. More information on the bog turtle and a listing of USFWS qualified surveyors can be found on the USFWS website: [www.fws.gov/northeast/pafo/](http://www.fws.gov/northeast/pafo/)

In 1974 the Pennsylvania Fish and Boat Commission, under Section 2305 of the Fish and Boat Code, listed the bog turtle as an endangered species, and in 1997 the USFWS, under the Endangered Species Act of 1973, listed the bog turtle as a threatened species. Poaching and loss of habitat are two primary reasons for the decline in turtle populations throughout the Mid-Atlantic Region.

In order to provide continued protection for the turtle and to minimize conflicts during project development and permitting, the U.S. Army Corps of Engineers, USFWS, and PA Department of Environmental Protection have developed a screening process to identify potential bog turtle habitat. Representatives of these agencies will provide guidance regarding this special screening process for projects that may impact wetlands in the counties listed above.

### INSTRUCTIONS

If your proposed project includes a **wetland impact** in one of the seventeen counties listed above, and you are requesting a bog turtle habitat screening from the agencies, follow the steps below:

1. Run a Pennsylvania Natural Diversity Inventory (PNDI) data search at: [conservationexplorer.state.pa.us/](http://conservationexplorer.state.pa.us/) . If PNDI search receipt indicates further consultation with USFWS, follow instructions in "AGENCY COMMENTS" section of the PNDI Receipt. For all other results, go to Step 2.
2. Complete and submit the attached form and provide: a) the PNDI search results; b) location map; c) latitude and longitude; d) driving directions; e) project description; f) size of property; g) wetland delineation, if available h) area of impact to the wetland; and i) a sketch or a plan of the site detailing the proposed project, showing wetland impact location(s).
3. When the request is received by the POC/agency listed below, you will be contacted by a representative of that agency to schedule an on-site assessment of the wetlands for bog turtle habitat. The representative will complete the Bog Turtle Habitat Evaluation Form. A letter with the findings will be sent to you.
4. If it is determined that the project area (which includes the direct and indirect impact area) is potential bog turtle habitat, the agency representative will discuss your options with you. These may include revising project plans to avoid impacts to wetlands, contacting a professional bog turtle surveyor (see web site above), or consulting with the USFWS. Neither a State Permit nor a Federal Permit can be authorized/verified without the Corps or USFWS resolving a potential bog turtle conflict, if applicable.
5. If you have any questions specific to this process, please contact the appropriate agency representative for your county.

**PRIMARY CONTACT LIST BY COUNTY**

**Adams, Franklin (Antietam Creek Watershed),  
Cumberland Counties**

Debby Nizer  
U. S. Army Corps of Engineers  
CENAB-OPR-P  
10 S. Howard Street  
Baltimore, MD 21201  
Phone: 410-962-6085  
Fax: 410-962-6024

**Berks (Baltimore District), Dauphin (Swatara Creek  
Watershed only), York Counties**

Mike Danko  
U. S. Army Corps of Engineers  
Carlisle Regulatory Field Office  
401 Louther Street, Suite 205  
Carlisle, PA 17013  
Phone: 717-249-8730  
Fax: 717-240-0523

**Berks (Philadelphia District), Bucks, Chester  
(Philadelphia District), Delaware, Monroe, Montgomery  
Counties**

Bill Jenkins, Chief, Applications Section  
U. S. Army Corps of Engineers  
Philadelphia Dist., Regulatory Branch  
Wanamaker Building  
100 Penn Square East  
Philadelphia, PA 19107-3390  
Phone: 215-656-6726  
Fax: 215-656-6724

**Chester (Baltimore District), Lancaster, Lebanon  
Counties**

Pat Strong  
U. S. Army Corps of Engineers  
CENAB-OPR-P  
10 S. Howard Street  
Baltimore, MD 21201  
Phone: 410-962-1847  
Fax: 410-962-6024

**Carbon (Aquashicola Creek Watershed only),  
Lehigh, Northampton, Schuylkill (Swatara Creek  
Watershed only) Counties**

Brian Scofield U.S. Fish and Wildlife Service  
110 Radnor Rd; Suite 101  
State College, PA 16801  
Phone: 814-234-4090, ext. 7471  
Fax: 814-234-0748

If you have more general questions or need information on permitting, please contact the appropriate DEP Regional Office listed below.

**DEP  
Northeast Regional Office**  
2 Public Square  
Wilkes-Barre, PA 18711-0790  
570-826-2511

**DEP  
Southcentral Regional Office**  
909 Elmerton Avenue, Second Floor  
Harrisburg, PA 17110  
717-705-4802

**DEP  
Southeast Regional Office**  
2 East Main Street  
Norristown, PA 19401  
484-250-5970

Carbon (Aquashicola Creek Watershed only), Lehigh, Monroe, and Northampton, and Schuylkill (Swatara Creek Watershed only) Counties

Adams, Berks, Cumberland, Dauphin, Franklin (Antietam Watershed only), Lancaster, Lebanon, and York Counties

Bucks, Chester, Delaware, and Montgomery Counties

### SPECIAL BOG TURTLE HABITAT SCREENING

U. S. ARMY CORPS OF ENGINEERS / SECTION 404 CLEAN WATER ACT PERMIT  
DEPARTMENT OF ENVIRONMENTAL PROTECTION/ WATER OBSTRUCTION AND ENCROACHMENT PERMITS

#### APPLICANT INFORMATION

Applicant Name \_\_\_\_\_

Mailing Address \_\_\_\_\_ Telephone (\_\_\_\_) \_\_\_\_\_

City \_\_\_\_\_ State \_\_\_\_\_ ZIP+4 \_\_\_\_\_

Email Address \_\_\_\_\_

#### PROJECT DESCRIPTION

Project Name \_\_\_\_\_

Project Location (i.e., tax parcel, road intersection, address) \_\_\_\_\_  
\_\_\_\_\_

County \_\_\_\_\_ Municipality \_\_\_\_\_

Latitude \_\_\_\_\_ Longitude \_\_\_\_\_

Which PADEP permit(s) are you planning to register? Individual  Dam  EA

GP-5  GP-6  GP-7  GP-8  GP-9  GP-11  GP-15

Detailed Written Directions to Project: \_\_\_\_\_  
\_\_\_\_\_  
\_\_\_\_\_  
\_\_\_\_\_

Briefly Describe Your Project (including proposed area of impacts to waters and/or wetlands: \_\_\_\_\_  
\_\_\_\_\_  
\_\_\_\_\_  
\_\_\_\_\_

#### SIGNATURE

I hereby grant permission for representatives of the U. S. Army Corps of Engineers or other authorized screening representative to inspect the project site as necessary in order to perform the requested habitat determination.

\_\_\_\_\_  
Signature

\_\_\_\_\_  
Date

On the next page, prepare a sketch showing your project, the wetlands, and all proposed impacts.

Applicant Name \_\_\_\_\_

### BOG TURTLE HABITAT - SKETCH PLAN

To ensure the sketch plan is complete, include the following on the site plan in the immediate vicinity of the project.  
(√ all that apply)

YES	N/A		YES	N/A	
<input type="checkbox"/>	<input type="checkbox"/>	Stream Name: _____	<input type="checkbox"/>	<input type="checkbox"/>	Limits of Earth Disturbance Associated with this Activity
<input type="checkbox"/>	<input type="checkbox"/>	Stream Limits and Flow Direction	<input type="checkbox"/>	<input type="checkbox"/>	Location of Property Lines Relative to the Project
<input type="checkbox"/>	<input type="checkbox"/>	Floodway Limits (if known)	<input type="checkbox"/>	<input type="checkbox"/>	Existing Buildings, Roadways, Other Structures
<input type="checkbox"/>	<input type="checkbox"/>	Chapter 93 Stream Designation: _____	<input type="checkbox"/>	<input type="checkbox"/>	Proposed Buildings, Roadways, Other Structures
<input type="checkbox"/>	<input type="checkbox"/>	Waters Impacts with Dimensions	<input type="checkbox"/>	<input type="checkbox"/>	Existing Utilities
		Total Length _____			
		Total sq. ft. _____			
		# of impacts _____			
<input type="checkbox"/>	<input type="checkbox"/>	Wetland Impacts	<input type="checkbox"/>	<input type="checkbox"/>	Proposed Utilities
		Total sq. ft. _____			
		# of impacts _____			
<input type="checkbox"/>	<input type="checkbox"/>	Wetland Acreage Onsite _____	<input type="checkbox"/>	<input type="checkbox"/>	Other Waters on project site (i.e. pond, lakes)

|\_\_\_\_\_||  
Scale 1" = \_\_\_\_\_ ft.





**Aquatic Resource Impact Table**

Applicant's Name / Client:

for Pennsylvania Chapter 105 Water Obstruction and Encroachment application/registration and US Army Corps of Engineers Section 404 application

**INSTRUCTIONS:**

Please begin to complete the Aquatic Resource Impact Table by including the Applicant's Name / Client (upper right of the page) for each page. Also, complete the Project / Site Name (upper left of the page) and the date of application/registration package submission (upper right, under Applicant's Name / Client). Then complete one row of data for each regulated (DEP Chapter 105 and Corps Section 404) structure or activity and type of impact for the proposed project based on the instructions for each column below; add additional worksheets if needed. Provide completed Aquatic Resource Impact Table with Chapter 105 Water Obstruction and Encroachment application/registration; **DO NOT submit instructions (page 1) for this table.**

Project / Permit Number	DEP / Corps USE ONLY
DEP Permit Number:	<i>leave blank</i> , it will be completed by DEP upon permit acknowledgement/issuance/verification.
Single and Complete Project Number:	<i>leave blank</i> , it will be completed by DEP/Corps upon permit acknowledgement/issuance/verification.
Crossing Number:	<i>leave blank</i> , it will be completed by DEP upon permit acknowledgement/issuance/verification.

<b>Project Information</b>	<i>provide the appropriate information based on the details on each impact for the project</i>
<b>Structure / Activity Identifier:</b>	provide a unique identifier for each regulated structure and/or activity being proposed, typically a name and number; this same unique identifier should be used in all aspects of the permit registration/application package.
<b>Aquatic Resource:</b>	indicate if the structure or activity is impacting a stream or wetland
<b>Aquatic Resource Type:</b>	select/provide the type of aquatic resource (based on wetland or stream) being impacted; Stream: select/provide the type of stream being impacted; perennial, intermittent, ephemeral stream or stream floodway Wetland: select/provide the type of wetland being impacted; PEM, PSS, PFO or POW wetland
<b>Latitude (nad 83):</b>	provide the latitude of the aquatic resource impact in decimal degrees
<b>Longitude (nad 83):</b>	provide the longitude of the aquatic resource impact in decimal degrees
<b>Work proposed / impact type:</b>	select/provide the type of work proposed to impact the resource; aerial, boring, excavation or fill
<b>Waters Name:</b>	provide the name of the stream or wetland (if available)
<b>PA Code Chapter 93 Designation:</b>	provide the Chapter 93 designation for the aquatic resource

<b>Corps / 404 area</b>	<i>provide the appropriate information based on the aquatic resource impact within the Section 404 jurisdictional area, list all impacts separately.</i>
<b>Corps Impact Type:</b>	select/provide the type of aquatic resource impact; temporary, permanent or n/a; indicate "n/a" if you are not proposing any work in, over, or under waters and/or wetlands
<b>WIDTH</b>	provide the linear feet, measuring from top of bank to top of bank, of transverse and/or full channel fill stream impacts; indicate "n/a" if impact is to a wetland OR if "n/a" to Corps Impact Type
<b>LENGTH</b>	provide the linear feet, measuring down the center line of stream, of transverse and/or full channel fill stream impacts; indicate "n/a" if impact is to a wetland OR if "n/a" to Corps Impact Type
<b>AREA</b>	provide the square feet area of direct and indirect/secondary stream impact; dewatering or fill placed in stream channel such as rip rap or fish habitat; indicate "n/a" if impact is to a wetland OR if "n/a" indicated above to Corps Impact Type
<b>Wetland Impact:</b>	provide the square feet area of impacts to wetlands; indicate "n/a" if impact is to a stream OR if "n/a" to Corps Impact Type

<b>PADEP / 105 area</b>	<i>provide the appropriate information based on the aquatic resource impact within Chapter 105 jurisdictional area, list all impacts separately.</i>
<b>PADEP Impact Type:</b>	select/provide the type of aquatic resource impact; temporary or permanent.
<b>Floodway Impact:</b>	AREA provide the square feet area of direct and indirect/secondary 100-year floodway impact, including watercourse; indicate "n/a" if impact is to a wetland.
<b>Wetland Impact:</b>	AREA provide the square feet area of impacts to wetlands; indicate "n/a" if impact is to a stream

Project / Site Name: \_\_\_\_\_ Date: July 1, 2016

DEP / Corps use only		Project Information										Corps / 404			PADEP / 105			
PADEP Permit Number <i>leave blank</i>	Single and Complete Project <i>leave blank</i>	Crossing Number <i>leave blank</i>	Structure / Activity unique identifier	Aquatic Resource being impacted	Aquatic Resource TYPE	Latitude <i>dd mmss</i>	Longitude <i>ddd mmss</i>	Work Proposed / Impact Type	Waters Name	PA Code Chapter 93 Designation	Corps Impact TYPE <i>temp / perm</i>	Stream WIDTH linear feet	Stream Impact LENGTH linear feet	Stream Impact AREA square feet	Wetland Impact AREA square feet	DEP Impact TYPE <i>temp / perm</i>	Floodway Impact AREA square feet	Wetland Impact AREA square feet
			Stream 1	Stream	Perennial	41.7710519	-77.1526930	Excavation	UNT	CWF	Temp	6	110	713	N/A	Temp	2201	N/A
			Wetland 1	Wetland	Paulstine Emergent (	42.6895100	-76.1539500	Boring	WETLAND	OTHER	N/A	N/A	N/A	N/A	Perm	N/A	N/A	300
			Wetland 2	Wetland	Paulstine Emergent (	42.7026800	-76.1546200	Fill	WETLAND	OTHER	Perm	N/A	N/A	N/A	Perm	N/A	N/A	83

